

10057001

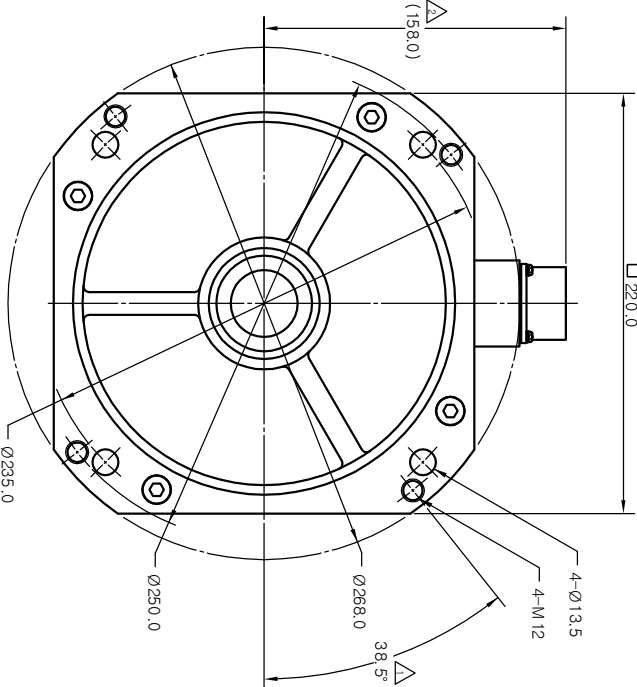
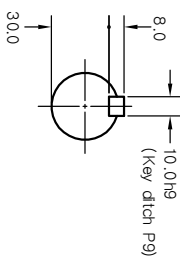
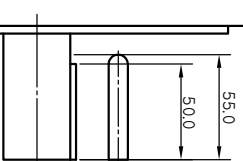
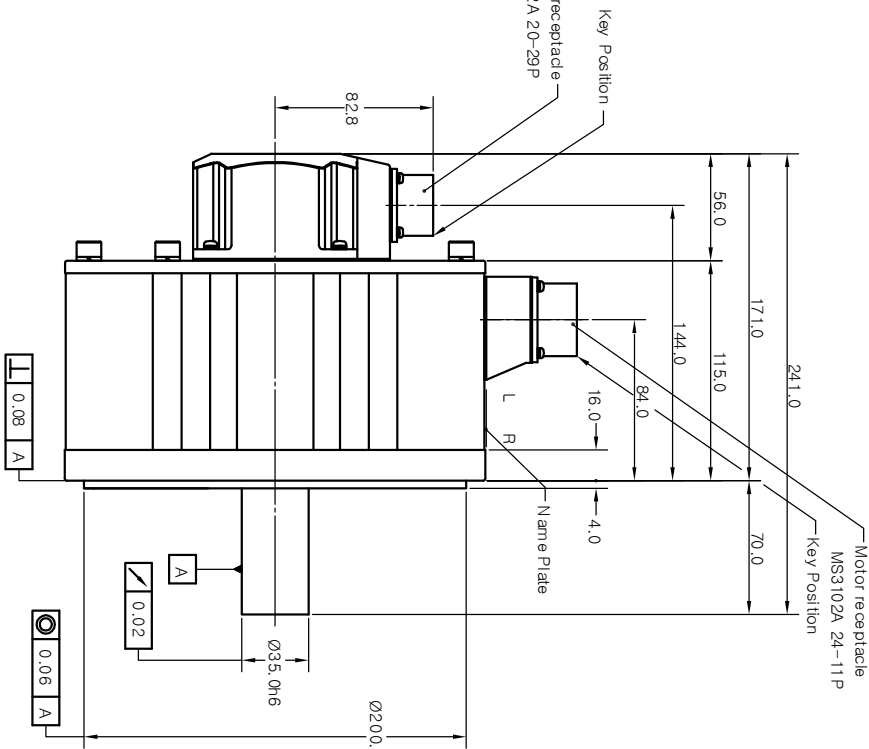
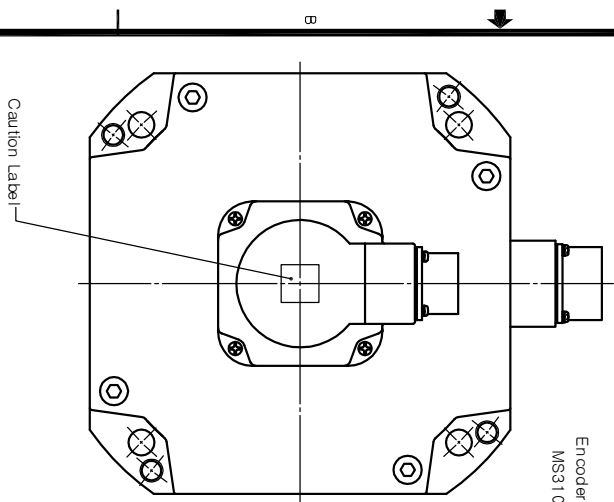
NO. G.W.C

Rotary encoder unit

| PIN No | Inc.     | Abs. (17 bit) | Abs. (11 bit) | Inc.    |
|--------|----------|---------------|---------------|---------|
|        | 15 Wires | 9 Wires       | 15 Wires      | 9 Wires |
| A      | A        | A             | A             | A       |
| B      | A        | A             | A             | A       |
| C      | B        | B             | B             | B       |
| D      | B        | B             | B             | B       |
| E      | Z        | Z             | Z             | Z       |
| F      | Z        | Z             | Z             | Z       |
| G      | 0V       | 0V            | 0V            | 0V      |
| H      | DC +5V   | DC +5V        | DC +5V        | DC +5V  |
| J      | FG       | FG            | FG            | FG      |
| K      | U        | SD            | RX            | RX      |
| L      | U        | SD            | RX            | RX      |
| M      | V        | V             | V             | V       |
| N      | V        | V             | V             | V       |
| P      | W        | W             | RST           | RST     |
| R      | W        | W             | RST           | RST     |
| S      | W        | BAT-          | BAT-          | BAT-    |
| T      | W        | BAT+          | BAT+          | BAT+    |

Motor unit

| PIN No. | Signal |
|---------|--------|
| A       | A      |
| B       | B      |
| C       | C      |
| D       | U      |
| E       | V      |
| F       | W      |
| G       | F.G    |
| H       | F.G    |
| I       | I      |



| SIGN | DESCRIPTION     | MODIFIER | APPROVALS | DATE       |
|------|-----------------|----------|-----------|------------|
| △    | 37.5° → 38.5°   | 권미영      |           | 2005.03.14 |
| △    | 163.0 → (158.0) | 권미영      |           | 2005.03.14 |

AMENDMENT

| ITEM              | PART NAME | QTY | PART No. | DWG No. |
|-------------------|-----------|-----|----------|---------|
| PART LISTS        |           |     |          |         |
| KOMOTEK CO., LTD. |           |     |          |         |

| ORIGINAL | TOLERANCE | ANGLE | ALTERNATIVE MATERIAL | ITEM                                    | PART NAME | QTY | PART No. | DWG No. |
|----------|-----------|-------|----------------------|---|-----------|-----|----------|---------|
| LINEAR   | LINEAR    | ANGLE |                      | 2002.12.16                              |           |     |          |         |
|          |           |       |                      | 3rd Angle System                        |           |     |          |         |
|          |           |       |                      | Approved                                |           |     |          |         |
|          |           |       |                      | Checked                                 |           |     |          |         |
|          |           |       |                      | Drawn Kim Jungsam                       |           |     |          |         |
|          |           |       |                      | Designed Kim Jungsam                    |           |     |          |         |
|          |           |       |                      | ISSUING DIVISION Mechanical Design Team |           |     |          |         |
|          |           |       |                      | SCALE 1/2 UNIT mm                       |           |     |          |         |
|          |           |       |                      | NEXT ASSY USED ON FINISH                |           |     |          |         |
|          |           |       |                      | SC PART-4580 IND                        |           |     |          |         |
|          |           |       |                      | DWG SIZE A2                             |           |     |          |         |
|          |           |       |                      | DWG No. 10057024                        |           |     |          |         |
|          |           |       |                      | SHEET 1 OF 1                            |           |     |          |         |

OUTLINE DRAWING

KOMOTEK CO., LTD.

10057024

1 2 3 4 5 6