

52057001

0% G.W.C

Motor unit

AMENDMENT

SIGN	DESCRIPTION	MODIFIER	APPROVALS	DATE
△	37.5° → 38.5°	권미영		2005.03.14
△	163.0 → (158.0)	권미영		2005.03.14

Rotary encoder unit

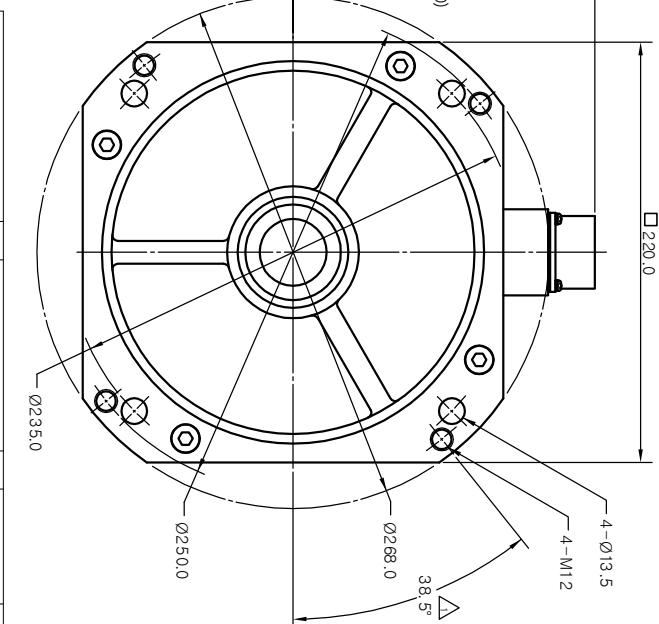
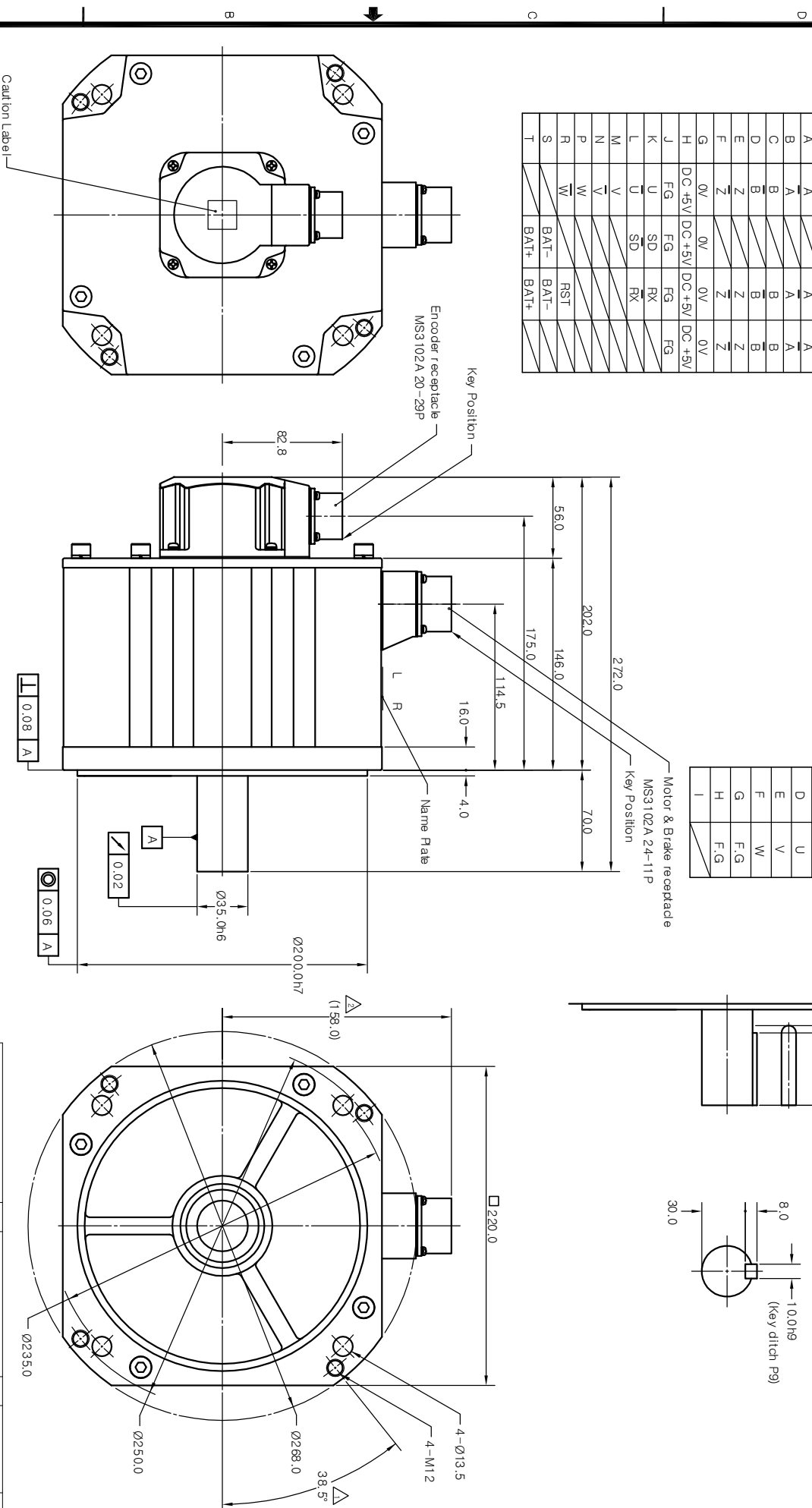
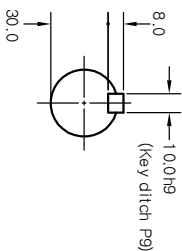
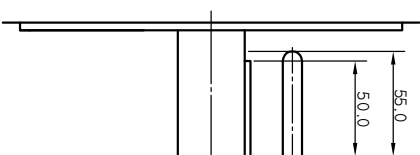
PIN No	15 Wires 9 Wires		15 Wires 9 Wires	
	Inc. (17 bit)	Abs. (1 bit)	Inc. (17 bit)	Abs. (1 bit)
A	A	A	A	A
B	A	A	A	A
C	B	B	B	B
D	B	B	B	B
E	Z	Z	Z	Z
F	Z	Z	Z	Z
G	0V	0V	0V	0V
H	DC +5V	DC +5V	DC +5V	DC +5V
J	FG	FG	FG	FG
K	U	SD	RX	FG
L	U	SD	RX	FG
M	V			
N	V			
P	W			
R	W		RST	
S		BAT-	BAT-	
T		BAT+	BAT+	

Signal

PIN No.	Signal
A	BR
B	BR
C	
D	U
E	V
F	W
G	F.G
H	F.G
I	

Motor & Brake receptacle MS3102A 24-11P

Key Position



A

B

C

D

A

B

C

D

ORIGINAL	ALTERNATIVE MATERIAL	ITEM	PART NAME	CITY	PART No.	DWG.No.
LINEAR	ANGLE	2002.12.16	3rd Angle System			
MATERIAL		Approved	Kim Jungsam			
HEAT TREATMENT		Drawn	Kim Jungsam			
		Designed	Kim Jungsam			
		ISSUING DIVISION	Mechanical Design Team			
		SCALE	1/2 UNIT mm			

PART LISTS

KOMOTEK CO., LTD.

OUTLINE DRAWING

APPROVED	DESIGNED	DWG SIZE	DWG No.	SHEET	OF
Kim Jungsam	Kim Jungsam	A2	10057025	1	1
HEAT TREATMENT					
FINISH					
USED ON					
SC KANF-45B01BD					
NEXT ASSY					

1

2

3

4

5

6

1

2

3

4

5

6