

22070001

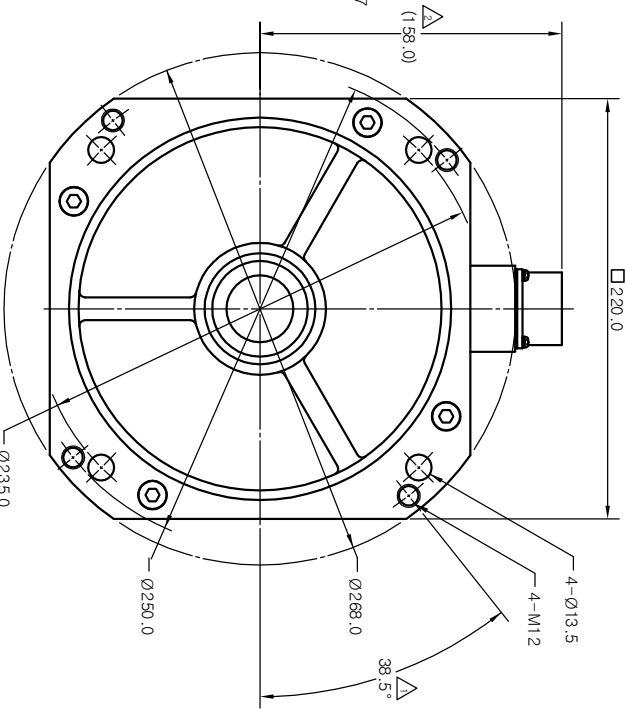
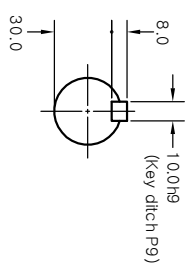
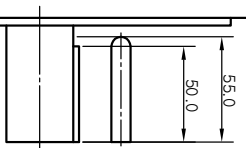
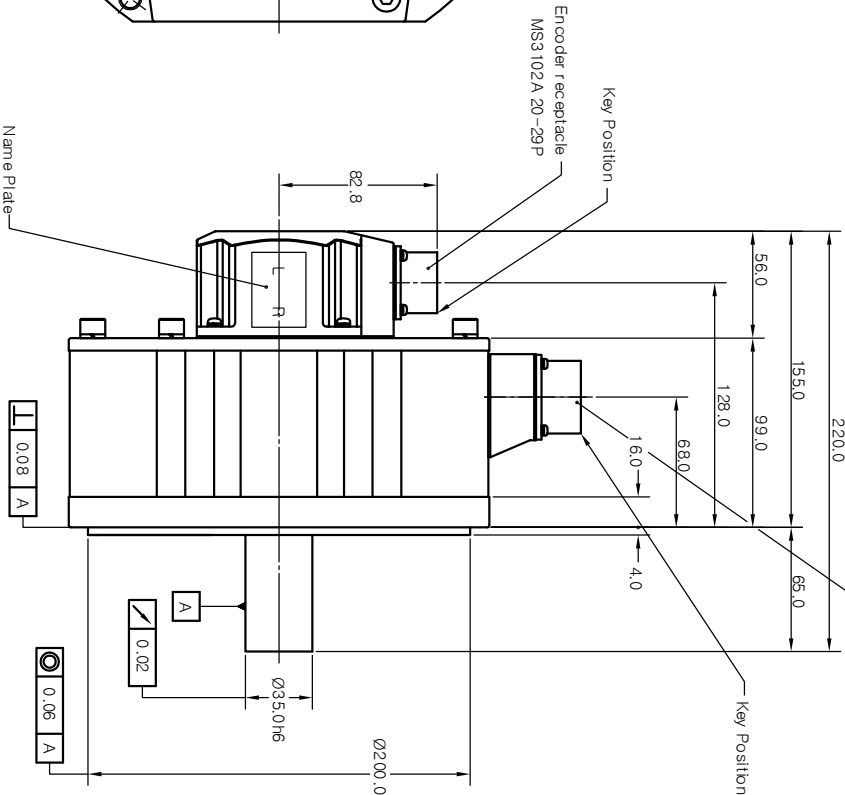
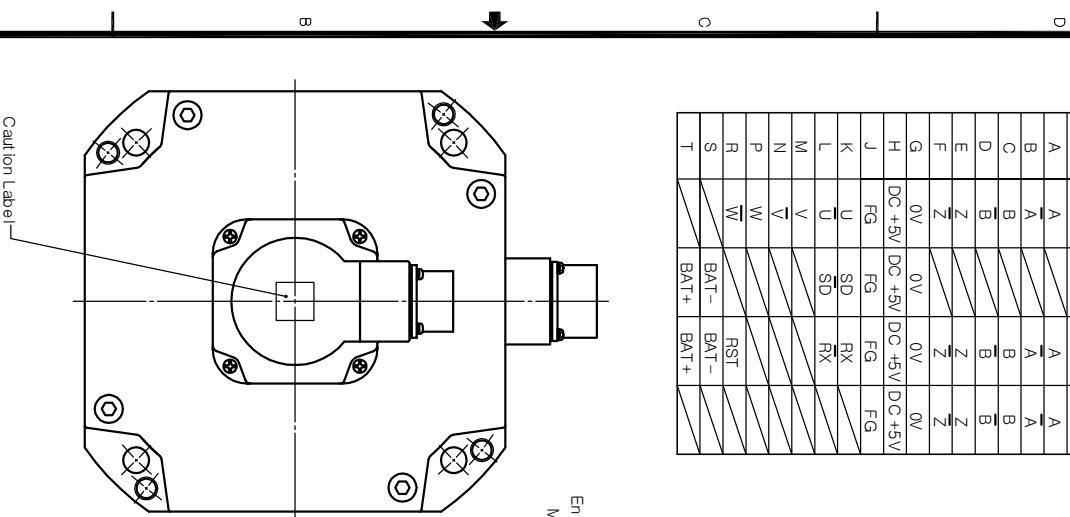
04GWD

Rotary encoder unit

PN No	Inc. (17 bit)	Abs. (11 bit)	Abs. (9 Wires)	Inc. (9 Wires)
A	A	A	A	A
B	A	A	A	A
C	B	B	B	B
D	B	B	B	B
E	Z	Z	Z	Z
F	Z	Z	Z	Z
G	0V	0V	0V	0V
H	DC +5V	DC +5V	DC +5V	DC +5V
J	FG	FG	FG	FG
K	U	SD	FX	FX
L	U	SD	FX	FX
M	V			
N	V			
P	W			
R	W			
S	BAT-	BAT-	RST	BAT-
T	BAT+	BAT+	BAT+	BAT+

Motor unit

PN No.	Signal
A	A
B	B
C	C
D	U
E	V
F	W
G	FG
H	FG
I	



ITEM	PART NAME	QTY	PART No.	DWG.No.
<b>PART LISTS</b>				
	<b>KOMOTEK CO., LTD.</b>			

ALTERNATIVE MATERIAL	TOLERANCE	ANGLE
LINEAR	—	—

MATERIAL	HEAT TREATMENT	FINISH
—	—	—

APPROVED	3rd Angle System
Checked	—
Drawn	Kim Jungsam
Designed	Kim Jungsam

ISSUING DIVISION	Mechanical Design Team
SCALE	1/2 UNIT mm

DWG SIZE	DWG No.	10057022
A2	SHEET	1 OF 1

SIGN	DESCRIPTION	MODIFIER	APPROVALS	DATE
△	37.5°	권미영		2005.03.14
△	163.0	권미영		2005.03.14

AMENDMENT

**OUTLINE DRAWING**

1 2 3 4 5 6