

32025001

09/GWGD

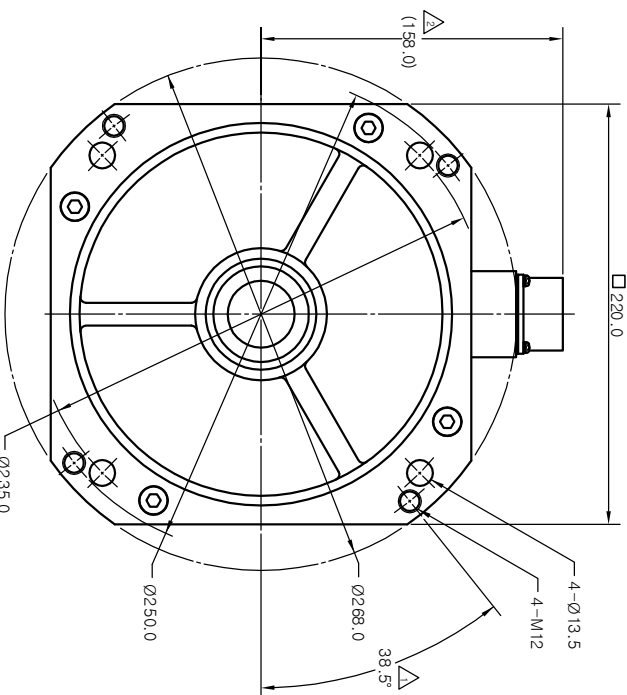
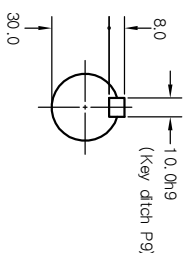
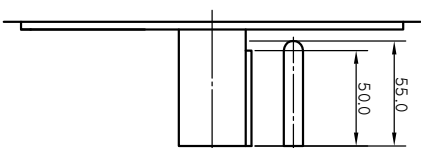
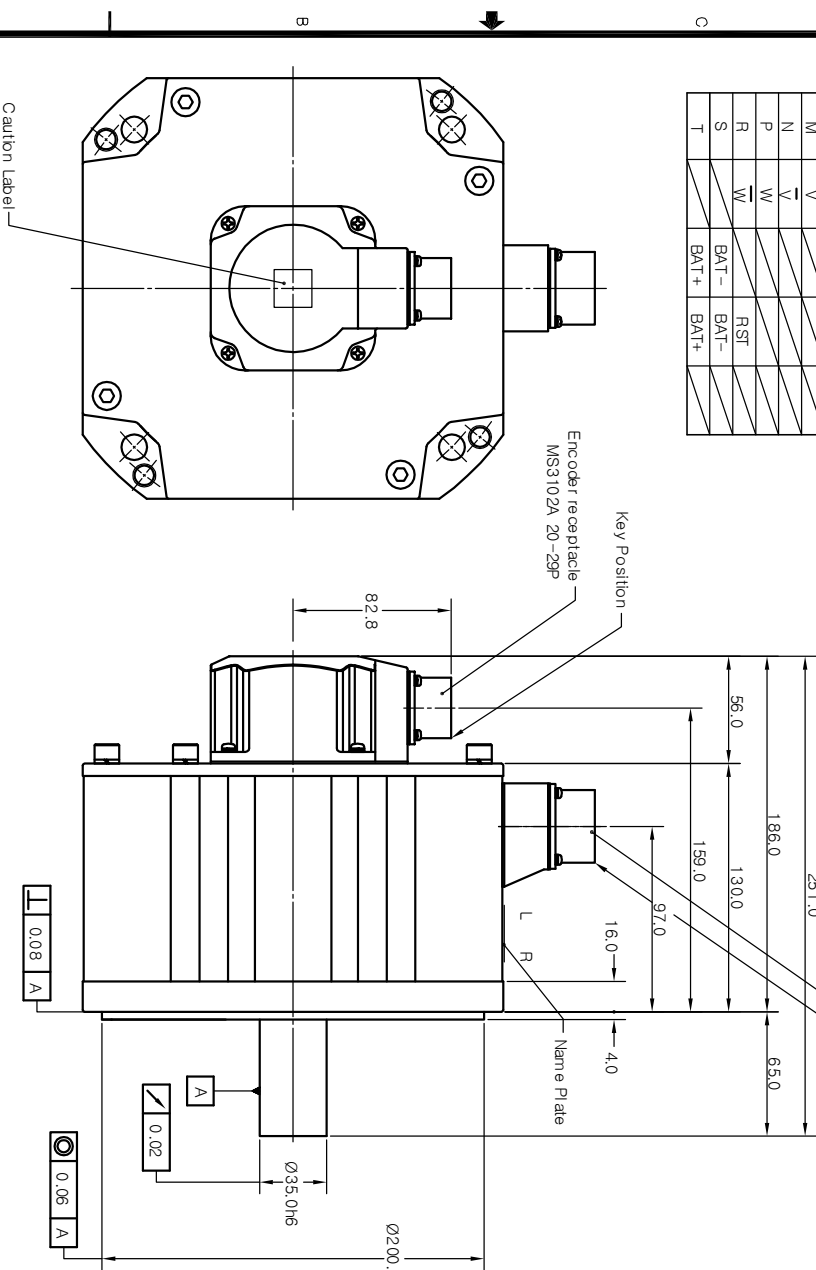
Relay encoder unit

PLN No	Inc.	Abs. (17 bit)	Abs. (11 bit)	Inc.
	15 Wires	9 Wires	15 Wires	9 Wires
A	A	A	A	A
B	A	A	A	A
C	B	B	B	B
D	B	B	B	B
E	Z	Z	Z	Z
F	Z	Z	Z	Z
G	0V	0V	0V	0V
H	DC +5V	DC +5V	DC +5V	DC +5V
J	FG	FG	FG	FG
K	U	SD	RX	FX
L	U	SD	FX	FX
M	V	W	W	W
N	V	W	W	W
P	W	W	W	W
R	W	W	W	W
S	BAT -	BAT -	RST	RST
T	BAT +	BAT +	BAT -	BAT -

Motor unit

PLN No.	Signal
A	BR
B	BR
C	U
D	U
E	V
F	W
G	F.G
H	F.G
I	F.G

Motor receptacle
MS3102A 24-11P



SIGN	DESCRIPTION	MODIFIER	APPROVALS	DATE
△	37.5° → 38.5°	권미영		2005.03.14
△	163.0 → (158.0)	권미영		2005.03.14

AMENDMENT

ITEM	PART NAME	QTY	PART No.	DWG.No.
PART LISTS				
KOMOTEK CO., LTD.				

ORIGINAL	TOLERANCE	ANGLE	2003.08.22	3rd Angle System	APPROVED	DESIGNED	ISSUING DIVISION	DWG SIZE	DWG No.	SHEET	OF
LINEAR	LINEAR	ANGLE	2003.08.22	3rd Angle System	Checked	Drawn	Mechanical Design Team	A2	10057023	1	1
MATERIAL	HEAT TREATMENT	FINISH	USED ON	SCALE	1/2 UNIT mm	WT.					
NEXT ASSY	SC	KANF-358018D									

OUTLINE DRAWING

KOMOTEK CO., LTD.

DWG No. 10057023

SHEET 1 OF 1