

10057020

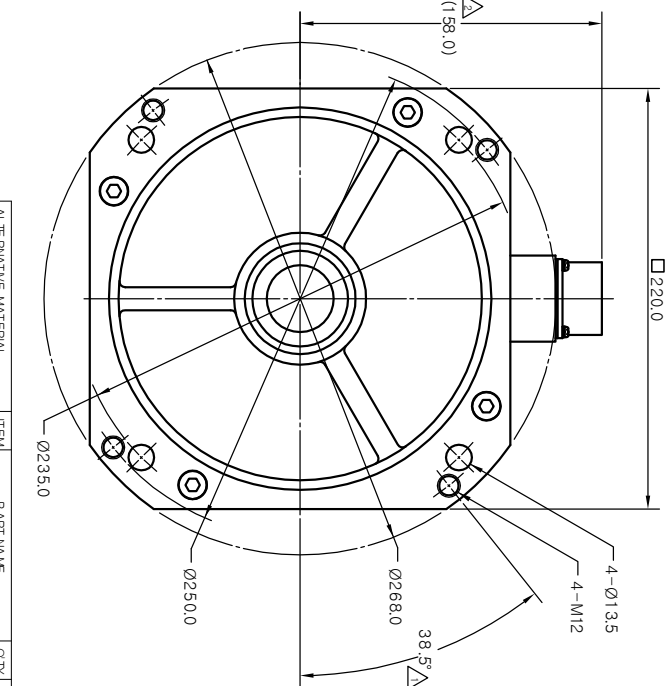
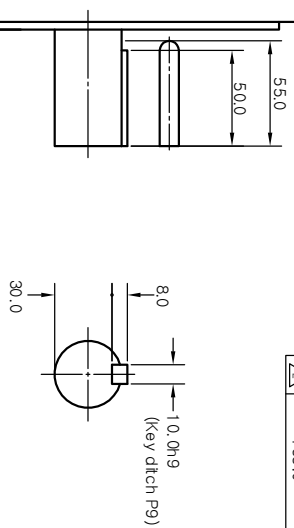
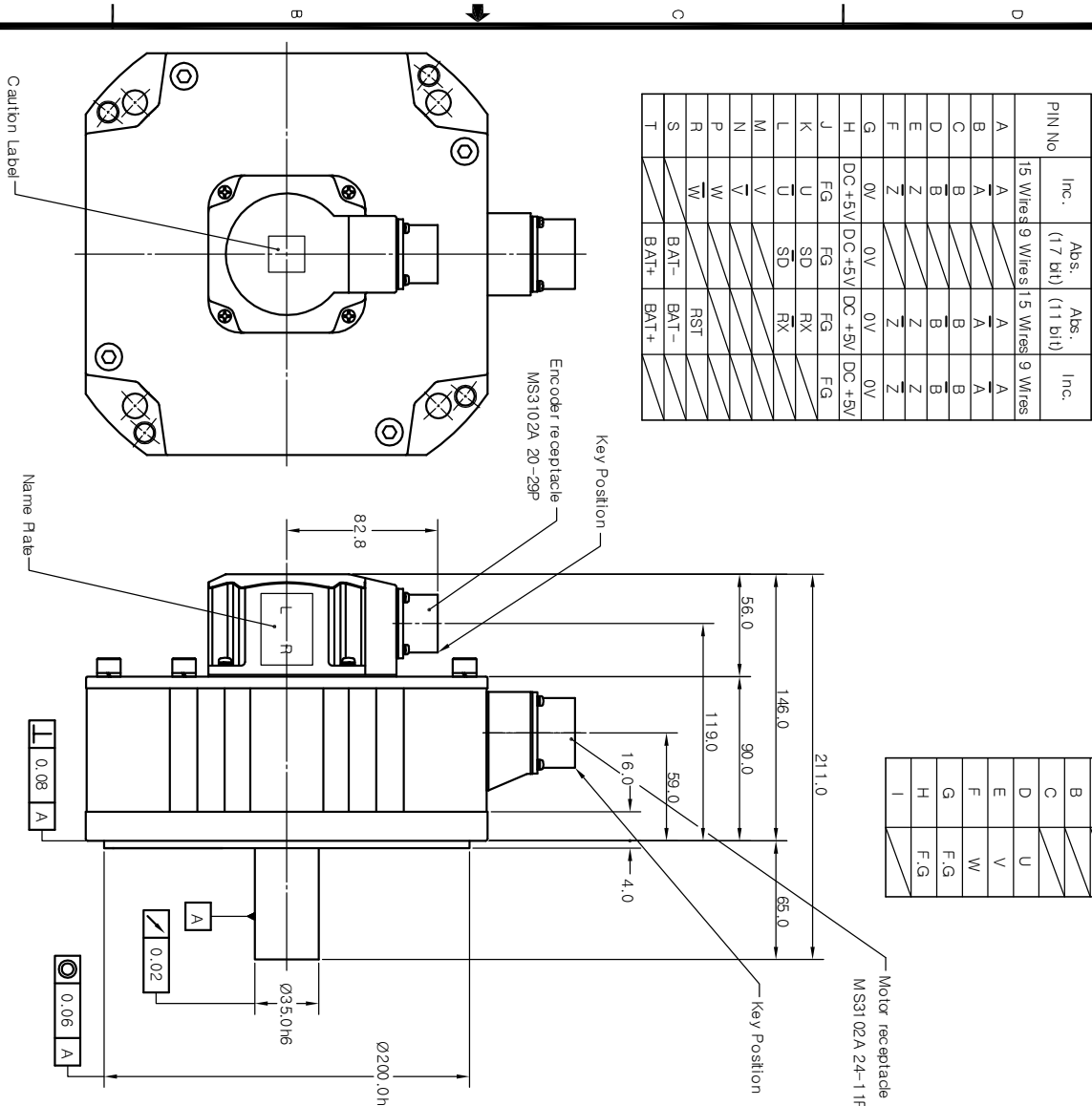
NO. G.W.C

Rotary encoder unit

PIN No	Inc.	Abs. (17 bit)	Abs. (11 bit)	Inc.
A	A	A	A	A
B	A	A	A	A
C	B	B	B	B
D	B	B	B	B
E	Z	Z	Z	Z
F	Z	Z	Z	Z
G	0V	0V	0V	0V
H	DC+5V	DC+5V	DC+5V	DC+5V
J	FG	FG	FG	FG
K	U	SD	RX	FG
L	U	SD	RX	FG
M	V	SD	RX	FG
N	V	SD	RX	FG
P	W	SD	RX	FG
R	W	SD	RX	FG
S	W	SD	RX	FG
T	W	SD	RX	FG

Motor unit

PIN No.	Signal
A	A
B	B
C	C
D	U
E	V
F	W
G	F.G
H	F.G
I	F.G



SIGN	DESCRIPTION	MODIFIER	APPROVALS	DATE
△	37.5° → 38.5°	권미영		2005.03.14
△	163.0 → (158.0)	권미영		2005.03.14

ITEM	PART NAME	QTY	PART No.	DWG.No.
PART LISTS				
KOMOTEK CO., LTD.				

ORIGINAL	TOLERANCE	ANGLE	APPROVED	DESIGNED	ISSUING DIVISION	DWG SIZE	DWG No.
LINEAR	LINEAR	ANGLE	3rd Angle System	Kim Jungsam	Mechanical Design Team	A2	10057020
MATERIAL	HEAT TREATMENT	FINISH	Drawn	Kim Jungsam			
NEXT ASSY	USED ON	SCALE	1/2 UNIT mm	WT.			

OUTLINE DRAWING

KOMOTEK CO., LTD.

SCALE 1/2 UNIT mm

DWG No. 10057020

SHEET 1 OF 1