

12075001

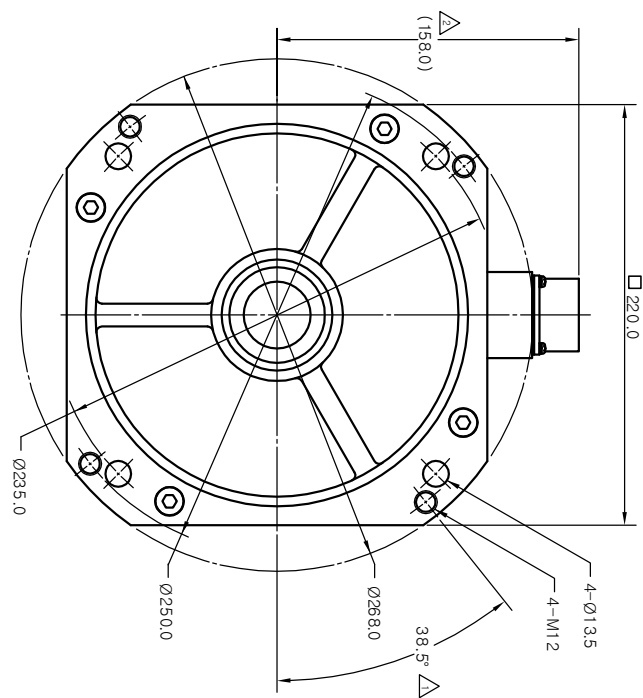
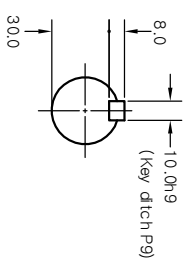
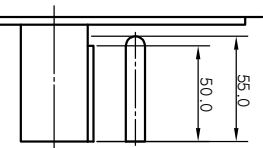
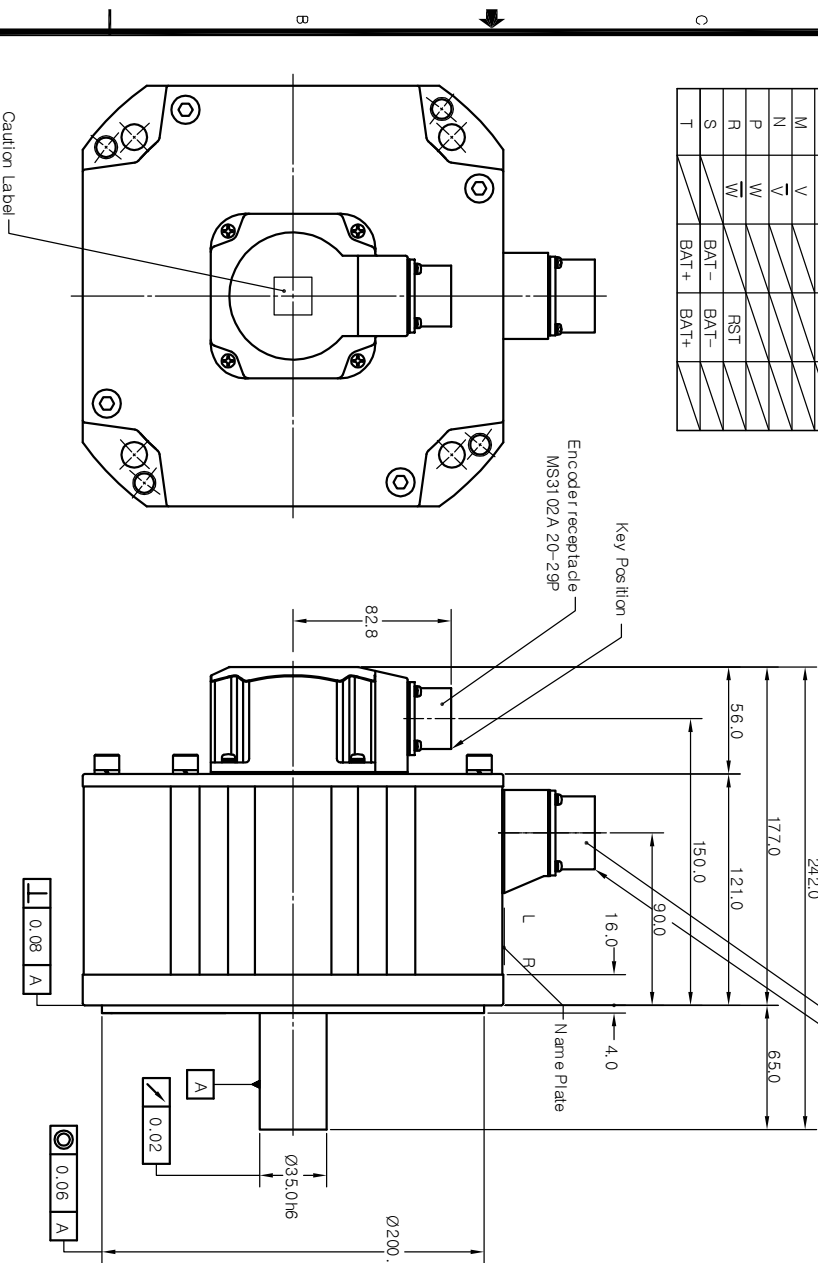
09/GW/D

Rotary encoder unit

PIN No	Rotary encoder unit	
	Inc. (17 bit)	Abs. (11 bit)
A	A	A
B	A	A
C	B	B
D	B	B
E	Z	Z
F	Z	Z
G	0V	0V
H	DC+5V	DC+5V
J	FG	FG
K	U	SD
L	U	SD
M	V	RX
N	V	RX
P	W	RST
R	W	RST
S	BAT-	BAT-
T	BAT+	BAT+

Motor unit

PIN No.	Signal
A	BR
B	BR
C	U
D	U
E	V
F	W
G	F.G
H	F.G
I	I



SIGN	DESCRIPTION	MODIFIER	APPROVALS	DATE
△	37.5° → 38.5°		권미영	2005.03.14
△	163.0 → (158.0)		권미영	2005.03.14

AMENDMENT

ITEM	PART NAME	QTY	PART No.	DWG No.
PART LISTS				
	2003.08.22			

ALTERNATIVE MATERIAL

TOLERANCE LINEAR ANGLE

2003.08.22

3rd Angle System

APPROVED

Checked Kim Jungsam

Drawn Kim Jungsam

Designed Kim Jungsam

ISSUING DIVISION Mechanical Design Team

SCALE 1/2 UNIT mm V.T.

DWG SIZE A2

DWG No. 10057021

SHEET 1 OF 1

KOMOTEK CO., LTD.

OUTLINE DRAWING

(KANF-258018D)

