

1 10057016

2 No. G.W.C

AMENDMENT

SIGN	DESCRIPTION	MODIFIER	APPROVALS	DATE
△	Motor receptacle 변경	김정삼		2005. 03. 14

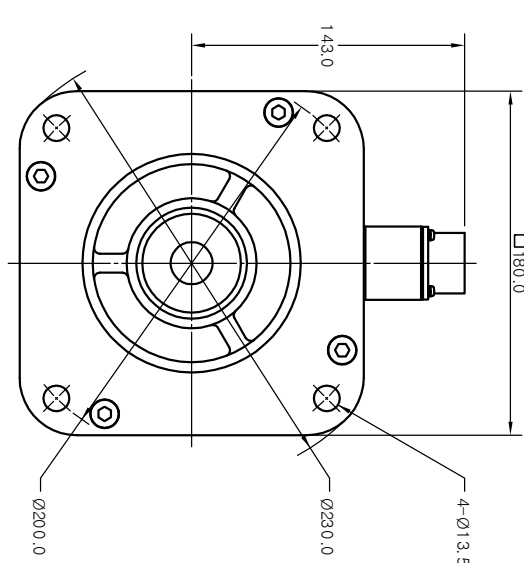
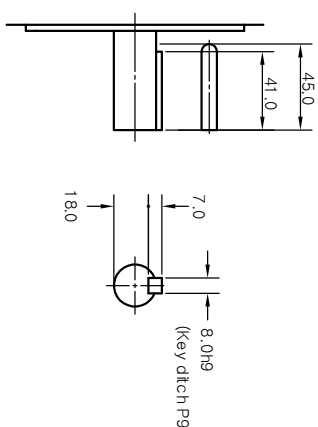
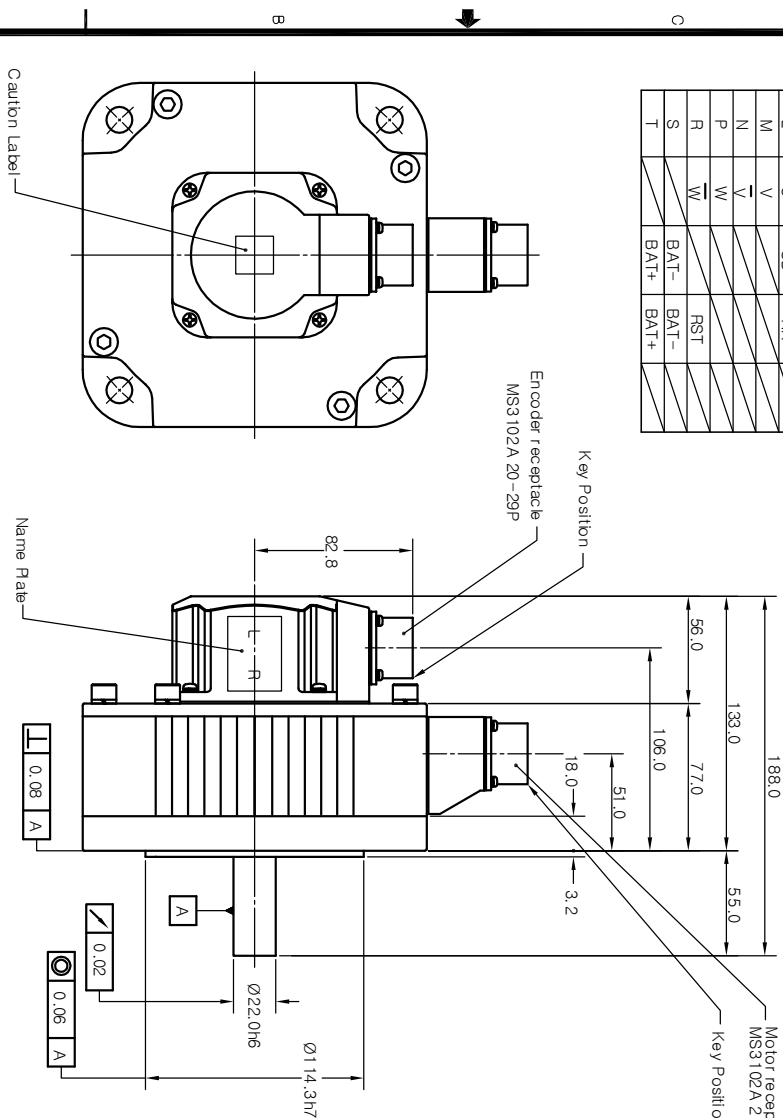
Rotary encoder unit

PIN No	Inc. (17 bit)	Abs. (11 bit)	Inc. (9 Wires)	Abs. (15 Wires)
A	/	/	A	A
B	/	/	B	B
C	/	/	C	C
D	/	/	D	D
E	/	/	E	E
F	/	/	F	F
G	0V	0V	Z	Z
H	DC+5V	DC+5V	Z	Z
J	FG	FG	Z	Z
K	U	SD	RX	RX
L	U	SD	RX	RX
M	V	SD	RX	RX
N	V	SD	RX	RX
P	W	SD	RX	RX
R	W	SD	RX	RX
S	W	SD	RX	RX
T	W	SD	RX	RX

Motor unit

PIN No.	Signal
A	/
B	W
C	/
D	F,G
E	F,G
F	U
G	/
H	/
I	V

Motor receptacle MS3102A 20-18P



ORIGINAL	ALTERNATIVE MATERIAL	ITEM	PART NAME	QTY	PART No.	DWG No.
	TOLERANCE LINEAR ANGLE					
	MATERIAL HEAT TREATMENT FINISH					
	USED ON					
	NEXT ASSY					

PART LISTS

KOMOTEK CO., LTD.

OUTLINE DRAWING

2003. 08. 20

3rd Angle System

Approved

Checked

Drawn

Designed

ISSUING DIVISION

Mechanical Design Team

SCALE 1/2 UNIT mm

DWG SIZE

DWG No. 10057016

SHEET 1 OF 1