

10057017

No. DWG/D

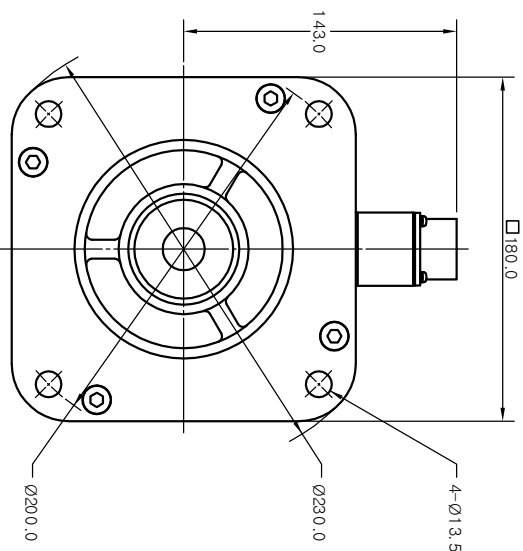
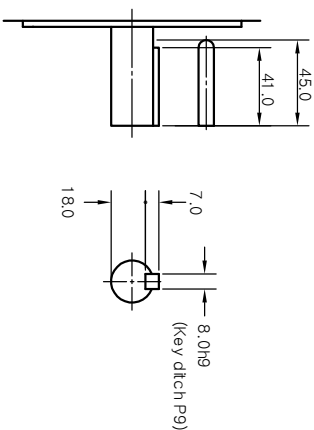
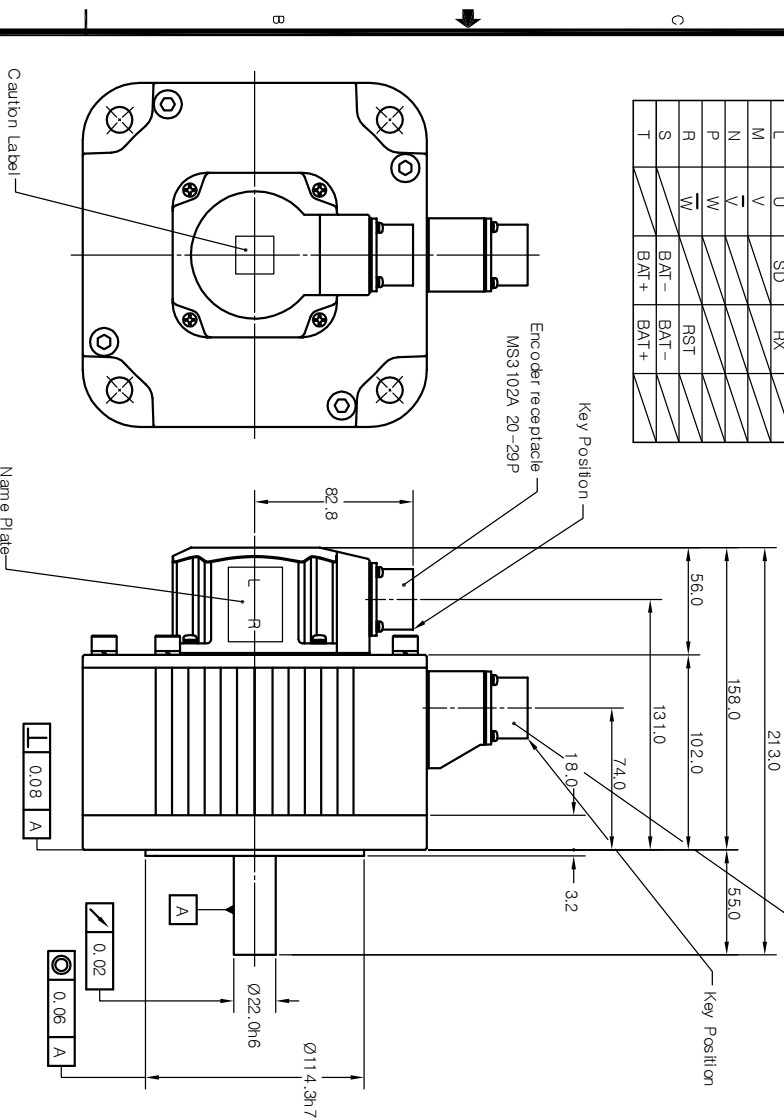
Rotary encoder unit

PIN No	Inc.	Abs. (17 bit)	Abs. (11 bit)	Inc.
	15 Wires 9 Wires	15 Wires 9 Wires	9 Wires	
A	A	A	A	A
B	A	A	A	A
C	B	B	B	B
D	B	B	B	B
E	Z	Z	Z	Z
F	Z	Z	Z	Z
G	0V	0V	0V	0V
H	DC+5V	DC+5V	DC+5V	DC+5V
J	FG	FG	FG	FG
K	U	SD	RX	
L	U	SD	RX	
M	V			
N	V			
P	W			
R	W	BAT-	RST	
S	W	BAT-	BAT+	
T		BAT+	BAT+	

Motor unit

PIN No.	Signal
A	W
B	W
C	
D	F.G
E	F.G
F	U
G	BR
H	BR
I	V

Motor & Brake receptacle  
MS3102A 20-18P



ORIGINAL	ALTERNATIVE MATERIAL	ITEM	PART NAME	QTY	PART No.	DWG No.
	TOLERANCE LINEAR ANGLE	PART LISTS				
	MATERIAL HEAT TREATMENT FINISH	KOMOTEK CO., LTD.				
NEXT ASSY	USED ON	PART NAME				
SC PART-0880 JPD	FINISH	OUTLINE DRAWING				
		ISSUING DIVISION Mechanical Design Team				
		DWG SIZE A2				
		DWG No. 10057017				
		SHEET 1 OF 1				

AMENDMENT			
SIGN	DESCRIPTION	MODIFIER	APPROVALS
			DATE