

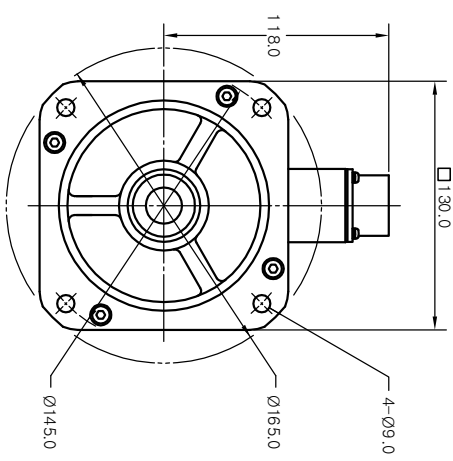
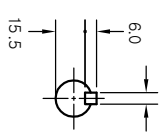
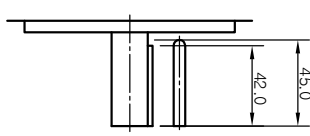
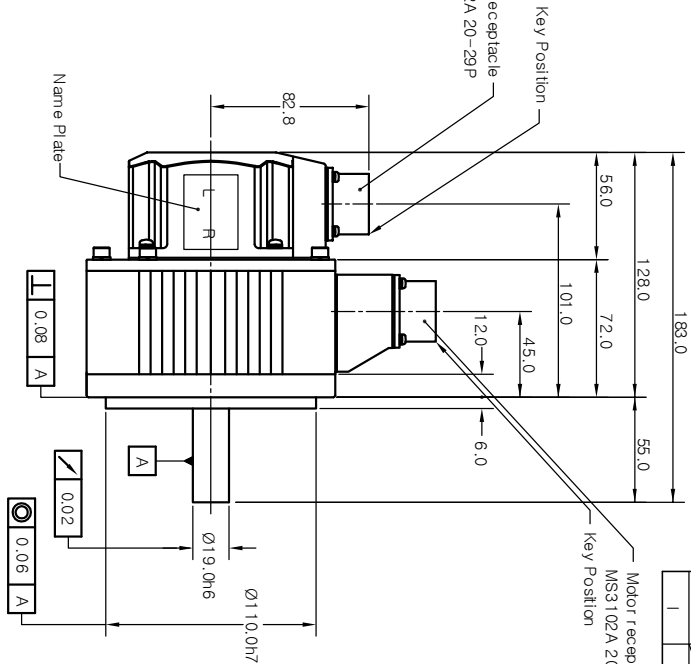
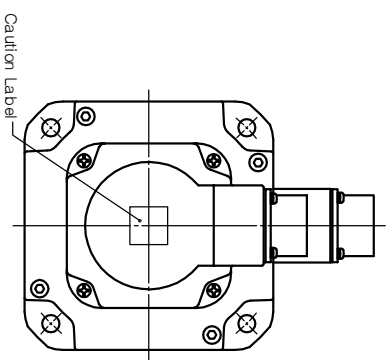
SIGN	DESCRIPTION	MODIFIER	APPROVALS	DATE
△	Motor receptacle 변경	김정삼		2005. 03. 14

Relay encoder unit

PIN No	Inc.	Abs. (17 bit)	Abs. (1 bit)	Inc.
15 Wires 9 Wires 15 Wires 9 Wires				
A	A	A	A	A
B	A	A	A	A
C	B	B	B	B
D	B	B	B	B
E	Z	Z	Z	Z
F	Z	Z	Z	Z
G	0V	0V	0V	0V
H	DC +5V	DC +5V	DC +5V	DC +5V
J	FG	FG	FG	FG
K	U	SD	RX	FG
L	U	SD	RX	FG
M	V		RX	FG
N	V		RX	FG
P	W		RST	FG
R	W		RST	FG
S	W	BAT-	BAT-	FG
T	W	BAT+	BAT+	FG

Motor unit

PIN No.	Signal
A	W
B	W
C	W
D	FG
E	FG
F	U
G	U
H	U
I	V



ALTERNATIVE MATERIAL	ITEM	PART NAME	QTY	PART No.	DWG No.
		PART LISTS			

TOLERANCE	ANGLE
LINEAR	
HEAT TREATMENT	

APPROVED	3rd Angle System
Checked	
Drawn	
Designed	

ISSUING DIVISION: Mechanical Design Team

DWG SIZE: A2

DWG No.: 10057014

SHEET 1 OF 1

A B C D

1 2 3 4 5 6

A B C D

1 2 3 4 5 6

KOMOTEK CO., LTD.

OUTLINE DRAWING

(KANF-04BDIND)

SCALE: 1/2 UNIT/mm

USED ON: FINISH

ORIGINAL

NEXT ASSY: SC KANF-98DIND

HEAT TREATMENT: FINISH

2003. 08. 21

3rd Angle System

2005. 03. 14