

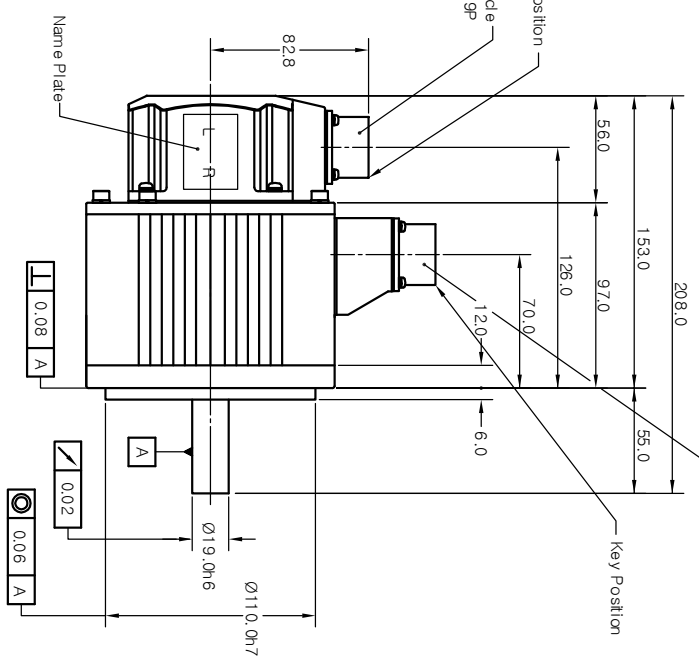
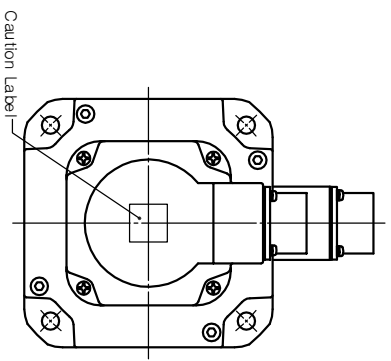
SIGN	DESCRIPTION	MODIFIER	APPROVALS	DATE

Relay encoder unit

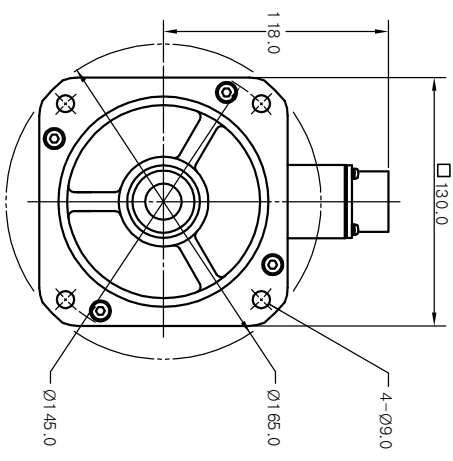
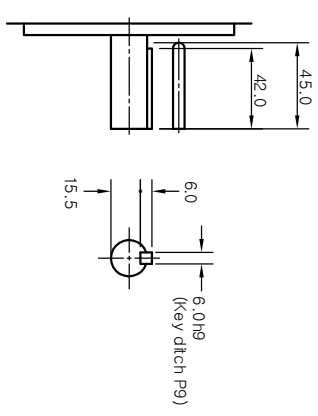
PIN No	Inc.	Abs. (17 bit)	Abs. (11 bit)	Inc.
A	A	A	A	A
B	A	A	A	A
C	B	B	B	B
D	B	B	B	B
E	Z	Z	Z	Z
F	Z	Z	Z	Z
G	0V	0V	0V	0V
H	DC +5V/ DC +5V/ DC +5V	DC +5V/ DC +5V/ DC +5V	DC +5V/ DC +5V/ DC +5V	DC +5V/ DC +5V/ DC +5V
J	FG	FG	FG	FG
K	U	SD	RX	
L	U	SD	FX	
M	V			
N	V			
P	W			
R	W	BAT-	RST	
S	W	BAT-	BAT-	
T		BAT+	BAT+	

Motor unit

PIN No.	Signal
A	W
B	W
C	
D	FG
E	FG
F	U
G	BR
H	BR
I	V



Motor & Brake receptacle MS3102A 20-18P



ORIGINAL	ALTERNATIVE MATERIAL	ITEM	PART NAME	QTY	PART No.	DWG No.

TOLERANCE	LINEAR	ANGLE

MATERIAL	HEAT TREATMENT	FINISH

APPROVED	3rd Angle System
Checked	
Drawn	Kim Jungsam
Designed	Kim Jungsam
ISSUING DIVISION	Mechanical Design Team
SCALE	1/2 UNIT/mm

DWG SIZE	DWG No.	10057015
SHEET	1	OF 1

PART LISTS

KOMOTEK CO., LTD.

OUTLINE DRAWING
(KANF-04BD18D)

