

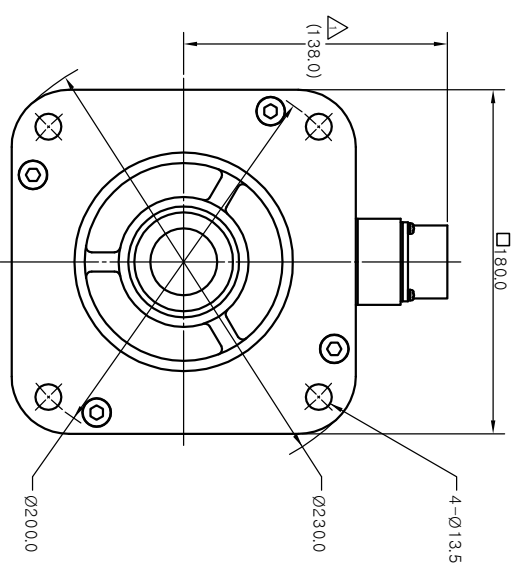
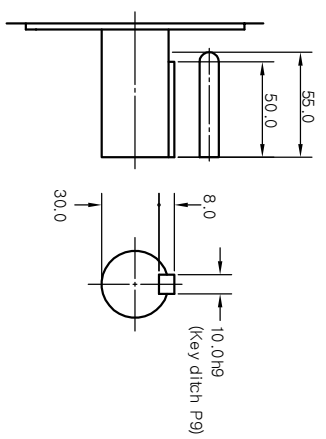
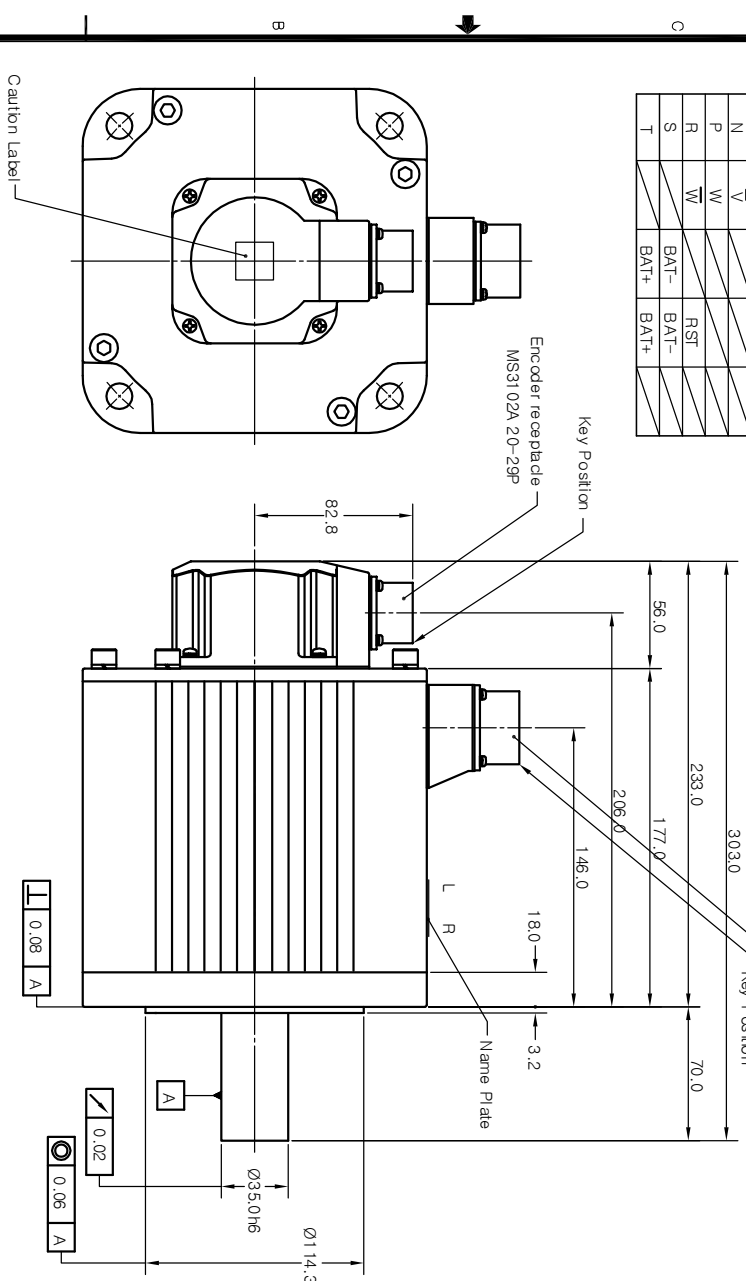
21057011 No. G.W.C

Rotary encoder unit

PIN No	Rotary encoder unit	
	Inc. (17 bit)	Abs. (11 bit)
A	A	A
B	A	A
C	B	B
D	B	B
E	Z	Z
F	Z	Z
G	0V	0V
H	DC +5V	DC +5V
J	FG	FG
K	U	SD
L	U	SD
M	V	RX
N	V	RX
P	W	RST
R	W	RST
S	BAT-	BAT-
T	BAT+	BAT+

Motor unit

PIN No.	Signal
A	U
B	V
C	W
D	F G



ORIGINAL	ALTERNATIVE MATERIAL	ITEM	PART NAME	QTY	PART No.	DWG No.

TOLERANCE	LINEAR	ANGLE
MATERIAL		
HEAT TREATMENT		
APPROVED	3rd Angle System	
DRAWN	Kim Jungsam	
DESIGNED	Kim Jungsam	
ISSUING DIVISION	Mechanical Design Team	
DWG SIZE	A2	
DWG No.	10057012	
SHEET	1 OF 1	

AMENDMENT			
SIGN	DESCRIPTION	MODIFIER	APPROVALS
143.0	(138.0)	권미영	2005.03.15

PART LISTS

2002.12.16

KOMOTEK CO., LTD.

OUTLINE DRAWING

1 2 3 4 5 6