

31025001

NO. G.W.C

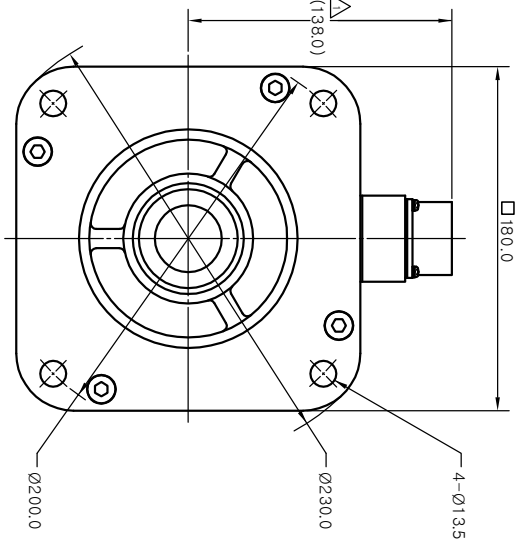
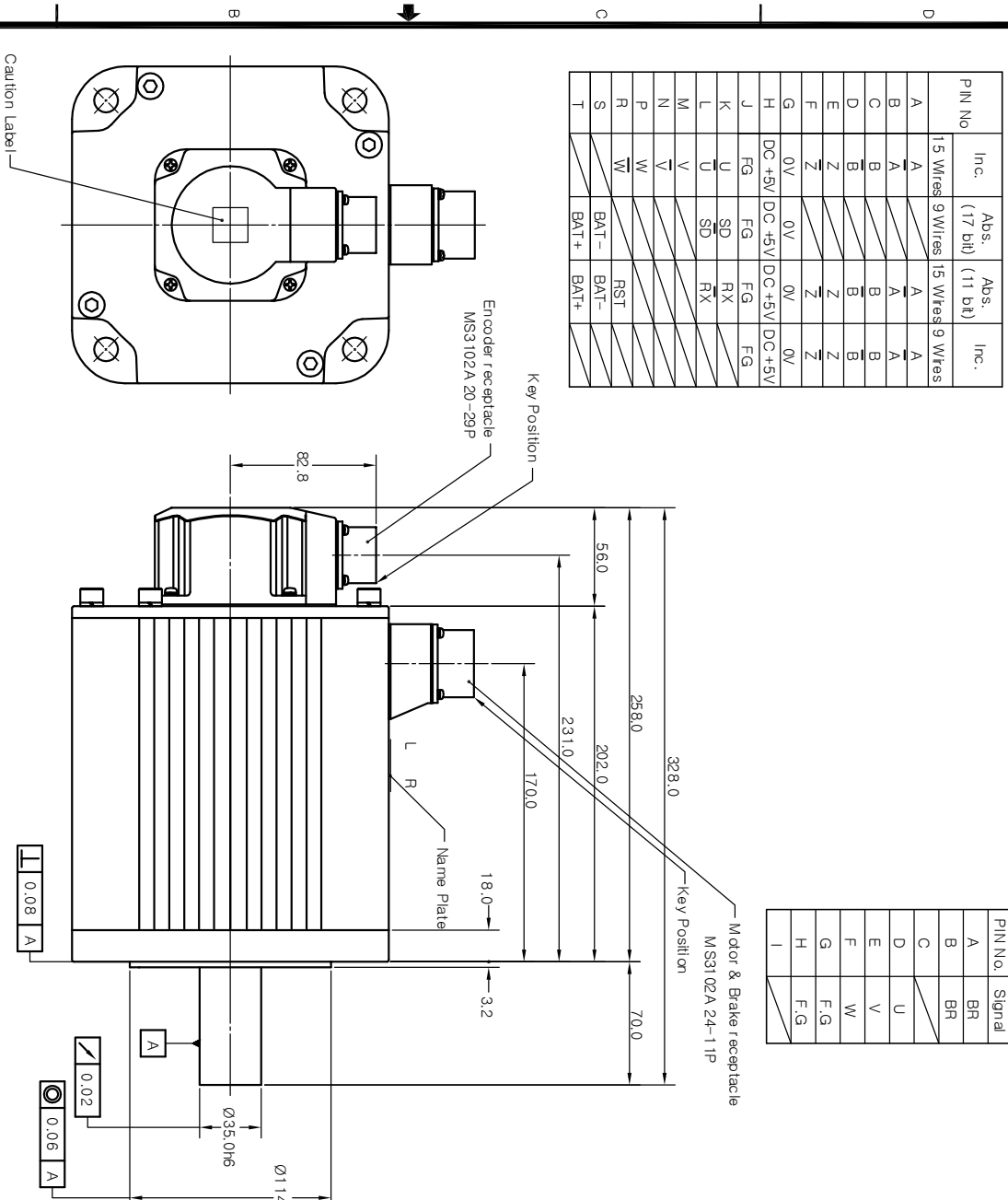
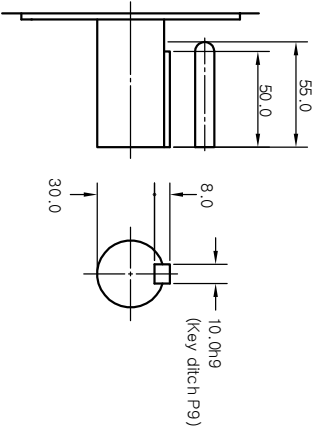
Rotary encoder unit

PIN No	Inc.	Abs. (17 bit)	Abs. (11 bit)	Inc.
15 Wires	9 Wires	15 Wires	9 Wires	
A	A	A	A	A
B	A	A	A	A
C	B	B	B	B
D	B	B	B	B
E	Z	Z	Z	Z
F	Z	Z	Z	Z
G	0V	0V	0V	0V
H	DC +5V	DC +5V	DC +5V	DC +5V
J	FG	FG	FG	FG
K	U	SD	RX	RX
L	U	SD	RX	RX
M	V			
N	V			
P	W			
R	W			
S	W	BAT -	BAT -	RST
T		BAT +	BAT +	BAT +

PIN No.	Signal
A	BR
B	BR
C	
D	U
E	V
F	W
G	F.G
H	F.G
I	

SIGN	DESCRIPTION	MODIFIER	APPROVALS	DATE
△	144.5 → (138.0)	권미영		2005.03.15

AMENDMENT



ALTERNATIVE MATERIAL	ITEM	PART NAME	QTY	PART No.	DWG No.

TOLERANCE	ANGLE
LINEAR	

MATERIAL	HEAT TREATMENT

APPROVED	3rd Angle System
Checked	
Drawn	Kim Jungsam
Designed	Kim Jungsam

ISSUING DIVISION	MECHANICAL DESIGN TEAM

DWG SIZE	DWG No.
A2	10057013

SCALE	UNIT	MM	WT.
1/2			

ORIGINAL	NEXT ASSY	USED ON	FINISH

OUTLINE DRAWING
KOMOTEK CO., LTD.

DWG No. 10057013
SHEET 1 OF 1