

1107501

REV. G.W.C

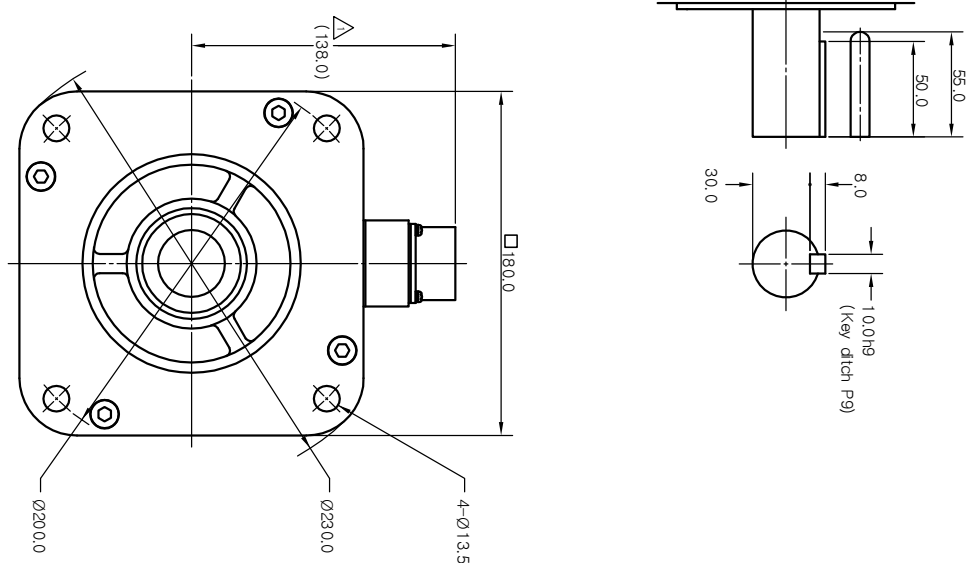
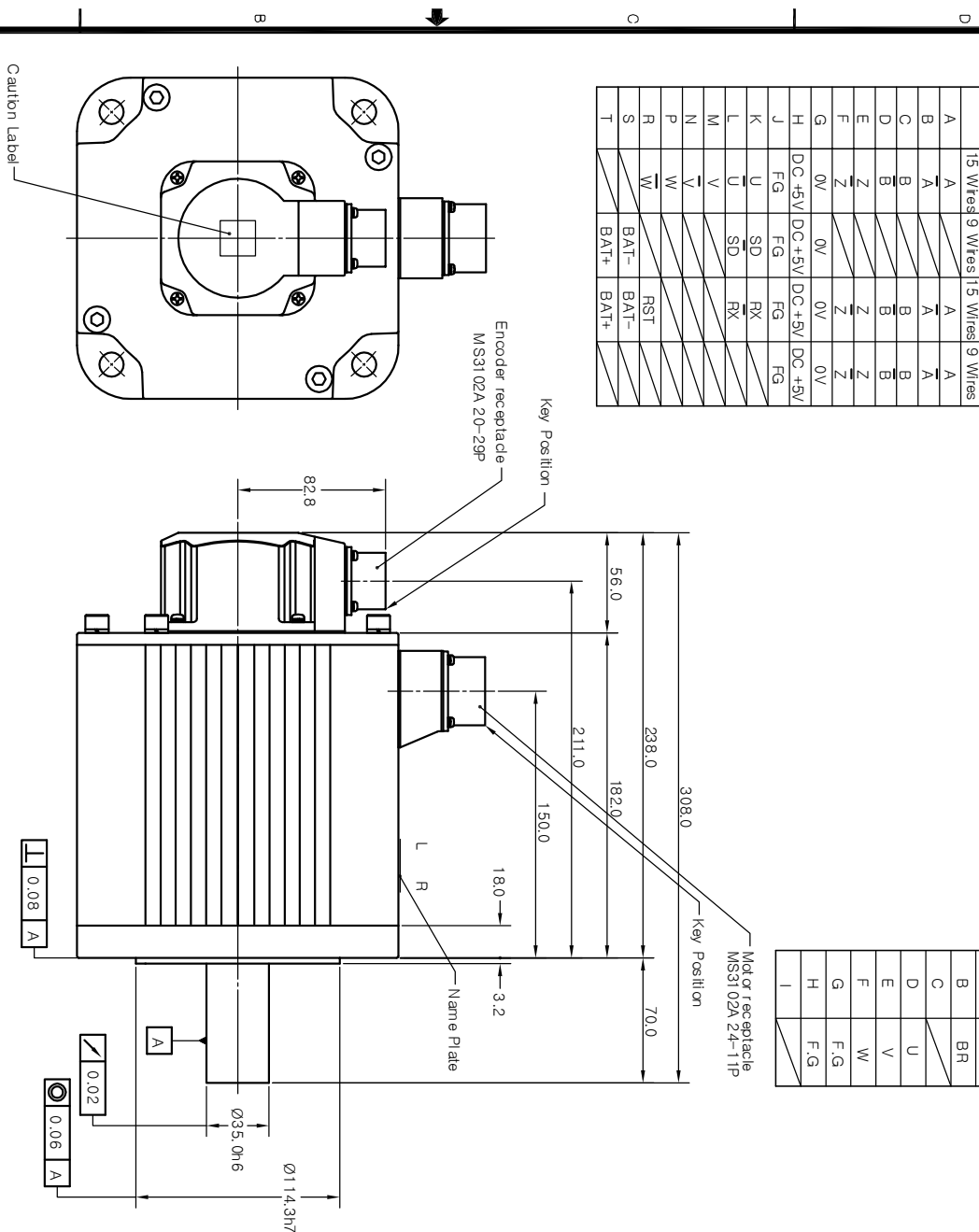
AMENDMENT		DATE
SIGNATURE	DESCRIPTION	DATE
	143.0 → (138.0)	2005.03.15
MODIFIER	APPROVALS	
권미영		

Rotary encoder unit

PIN No	Abs. (17 bit)		Abs. (11 bit)	
	Inc.	Abs.	Inc.	Abs.
A	15 Wires	9 Wires	15 Wires	9 Wires
B	A	A	A	A
C	B	B	B	B
D	B	B	B	B
E	Z	Z	Z	Z
F	Z	Z	Z	Z
G	0V	0V	0V	0V
H	DC+5V	DC+5V	DC+5V	DC+5V
J	FG	FG	FG	FG
K	U	SD	FX	FX
L	U	SD	FX	FX
M	V	SD	FX	FX
N	V	SD	FX	FX
P	W	W	RST	RST
R	W	W	RST	RST
S	W	W	BAT-	BAT-
T	W	W	BAT+	BAT+

Motor unit

PIN No.	Signal
A	BR
B	BR
C	U
D	V
E	W
F	V
G	F.G
H	F.G
I	



ITEM	PART NAME	QTY	PART No.	DWG No.
PART LISTS				
	2003.08.20			
	3rd Angle System			

ORIGINAL	TOLERANCE LINEAR	ANGLE	APPROVED	2003.08.20	3rd Angle System
			Checked		
			Drawn	Kim Jungnam	
			Designed	Kim Jungnam	
			ISSUING DIVISION	Mechanical Design Team	
			SCALE	1/2 UNIT mm	WT.
NEXT ASSY	USED ON	FINISH			
	SC HAND-ASSEMBLY				

PART NAME: KOMOTEK CO., LTD.

OUTLINE DRAWING (KAND-459D1 B01)

DWG SIZE: A2

DWG No.: 10057011

SHEET 1 OF 1