

10057079

NO. G.W.C

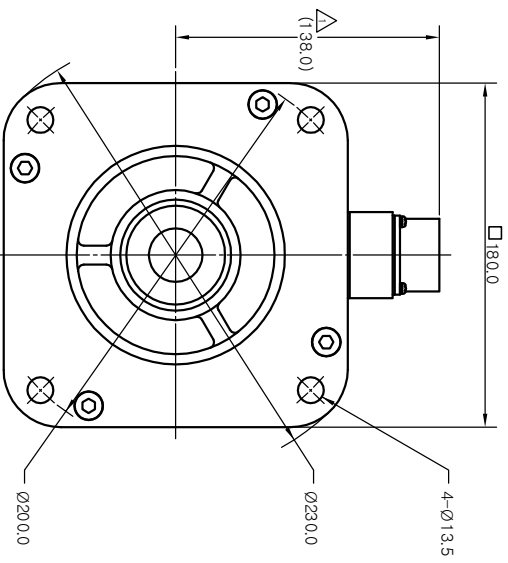
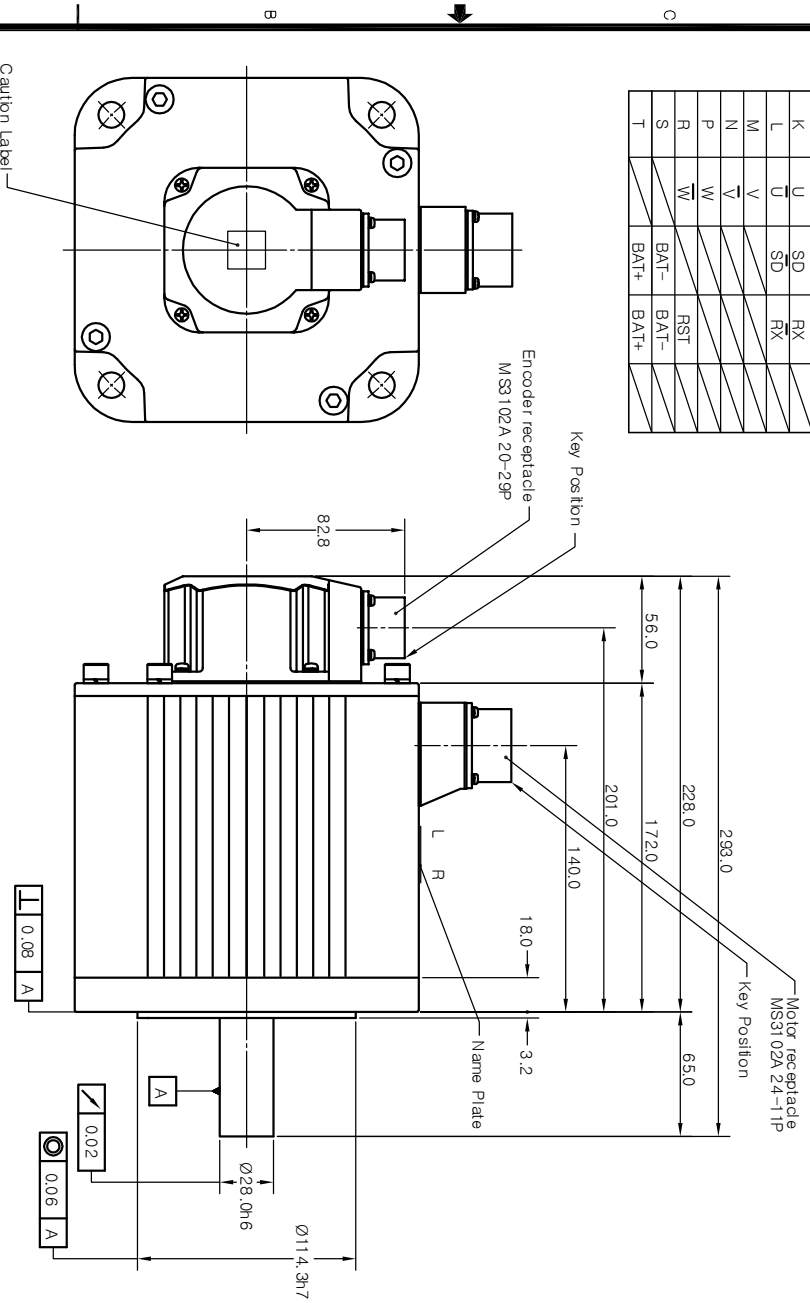
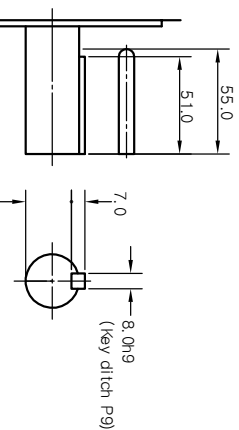
AMENDMENT			DATE
SIGN	DESCRIPTION	MODIFIER	APPROVALS
△	143.0 → (138.0)	권미영	2005.03.15

Rotary encoder unit

PIN No	Inc.	Abs. (17 bit)	Abs. (11 bit)	Inc.
15 Wires 9 Wires 15 Wires 9 Wires				
A	A	A	A	A
B	A	A	A	A
C	B	B	B	B
D	B	B	B	B
E	Z	Z	Z	Z
F	Z	Z	Z	Z
G	0V	0V	0V	0V
H	DC+5V	DC+5V	DC+5V	DC+5V
J	FG	FG	FG	FG
K	U	SD	FX	FX
L	U	SD	FX	FX
M	V			
N	V			
P	W			
R	W	RST	BAT-	BAT-
S	W	BAT-	BAT-	BAT-
T		BAT+	BAT+	BAT+

PIN No.	Signal
A	BR
B	BR
C	U
D	U
E	V
F	W
G	F.G
H	F.G
I	

Motor unit



ORIGINAL

ALTERNATIVE MATERIAL

ITEM PART NAME QTY PART No. DWG No.

PART LISTS

2004.06.16

3rd Angle System

APPROVED

Checked Kim Jung-ahn

Drawn Kim Jung-ahn

Designed Kim Jung-ahn

ISSUING DIVISION Mechanical Design Team

SCALE 1/2 UNIT mm WT.

DWG SIZE A2

DWG No. 10057079

SHEET 1 OF 1

COMOTEK CO., LTD.

OUTLINE DRAWING

(KAND-40BD 1BD)

HEAT TREATMENT

FINISH

USED ON

SG KAND-40BD 1BD

NEXT ASSY

0.08 A

0.02 A

0.06 A

Ø114.3h7

Ø28.0h6

298.0

228.0

172.0

56.0

201.0

140.0

18.0

3.2

65.0

0.08

0.02

0.06

A

Encoder receptacle MS3102A 20-29P

Key Position

Name Plate

Motor receptacle MS3102A 24-11P

Key Position

L R

Ø138(0)

180.0

4-Ø13.5

Ø230.0

Ø200.0