

60075001

No. G.M.C

AMENDMENT

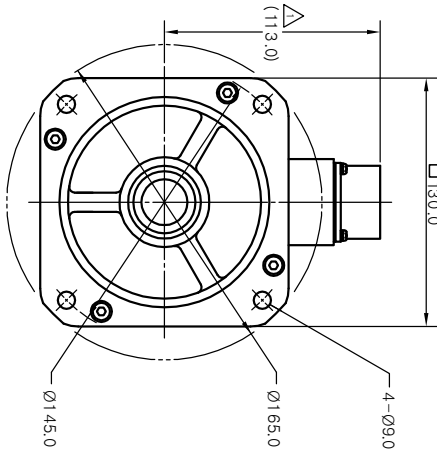
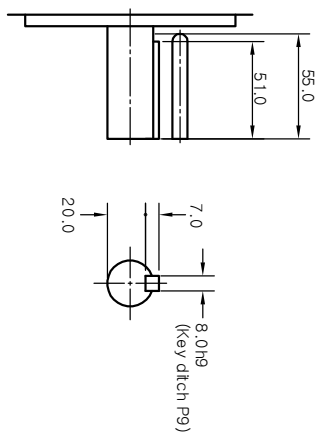
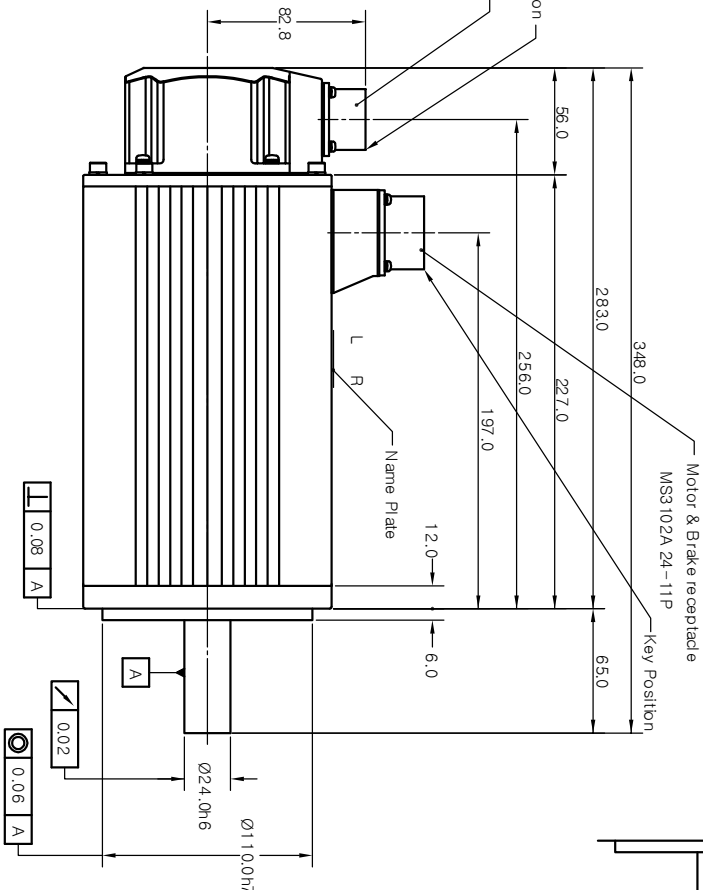
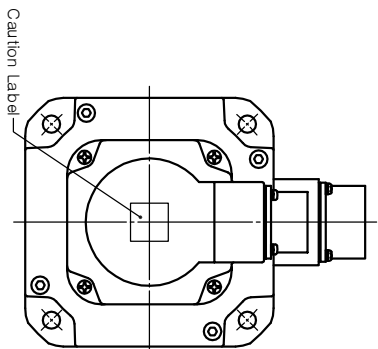
SIGN	DESCRIPTION	MODIFIER	APPROVALS	DATE
△	118.0 → (113.0)	권미영		2005.03.15

Relay encoder unit

PIN No	Inc. (17 bit)	Abs. (1 bit)	Abs. (1 bit)	Inc. (9 Wires)
A	A	A	A	A
B	A	A	A	A
C	B	B	B	B
D	B	B	B	B
E	Z	Z	Z	Z
F	Z	Z	Z	Z
G	0V	0V	0V	0V
H	DC+5V	DC+5V	DC+5V	DC+5V
J	FG	FG	FG	FG
K	U	SD	PX	FG
L	U	SD	RX	FG
M	V	SD	RX	FG
N	V	SD	RX	FG
P	W	SD	RX	FG
R	W	SD	RX	FG
S	W	SD	RX	FG
T	BAT-	BAT-	BAT-	BAT-
	BAT+	BAT+	BAT+	BAT+

Motor unit

PIN No.	Signal
A	BR
B	BR
C	U
D	U
E	V
F	W
G	FG
H	FG
I	FG



A

B

C

D

1

2

3

4

5

6

ORIGINAL	ALTERNATIVE MATERIAL	ITEM	PART NAME	QTY	PART No.	DWG No.

PART LISTS

KOMOTEK CO., LTD.

OUTLINE DRAWING

2003.08.20	3rd Angle System	Approved	K.M. Jungsam	DWG SIZE	DWG No.	10057009
		Checked	K.M. Jungsam	SCALE	SHEET	1 OF 1
		Drawn	K.M. Jungsam			
		Designed	K.M. Jungsam			
		ISSUING DIVISION	Mechanical Design Team			
		NEXT ASSY	USED ON			
		P/N	SC. 4440-30 18 D			