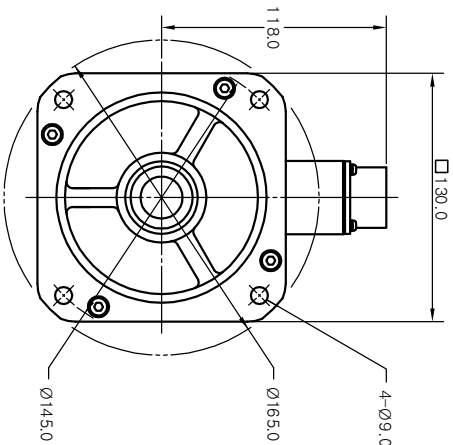
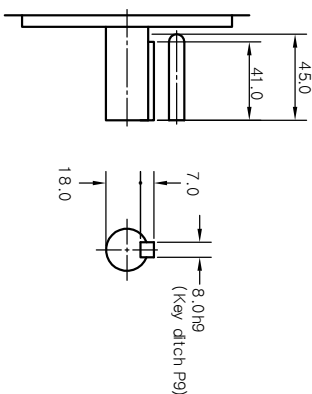
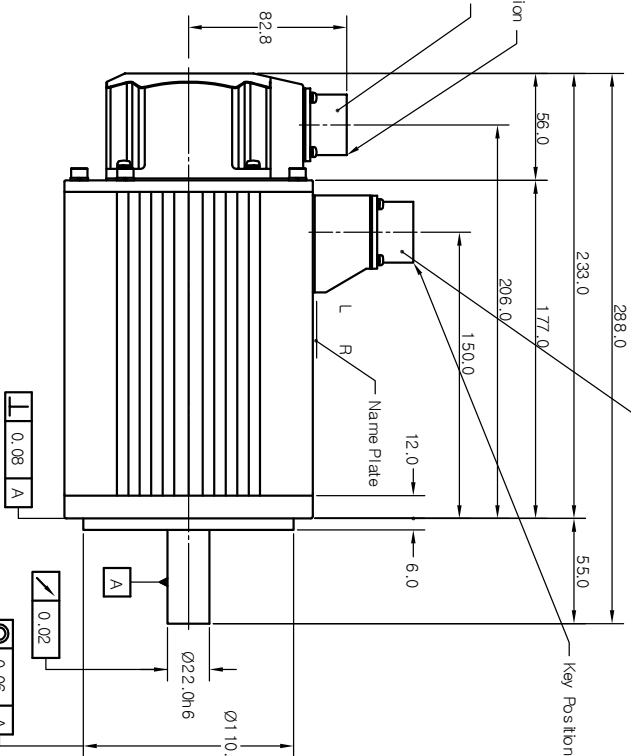
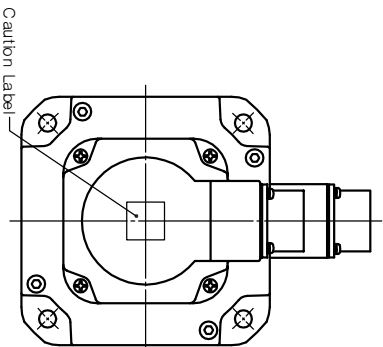


Rotary encoder unit

PIN No	Inc.	Abs.	Abs.	Inc.
	(17 bit)	(17 bit)	(11 bit)	(11 bit)
A	A	A	A	A
B	A	A	A	A
C	B	B	B	B
D	B	B	B	B
E	Z	Z	Z	Z
F	Z	Z	Z	Z
G	0V	0V	0V	0V
H	DC +5V	DC +5V	DC +5V	DC +5V
J	FG	FG	FG	FG
K	U	SD	FX	FX
L	U	SD	FX	FX
M	V			
N	V			
P	W			
R	W			
S	W	RST	BAT-	BAT-
T		BAT+	BAT+	BAT+

PIN No.	Signal
A	A
B	W
C	C
D	F.G
E	F.G
F	U
G	BR
H	BR
I	V

Motor & Brake receptacle
MS3102A 20-18P



ORIGINAL	ALTERNATIVE MATERIAL	ITEM	PART NAME	QTY	PART No.	DWG No.
TOLERANCE LINEAR	ANGLE	2002.12.16				
MATERIAL		3rd Angle System				
HEAT TREATMENT		Approved				
		Drawn Kim Jungsam				
		Designed Kim Jungsam				
		ISSUING DIVISION Mechanical Design Team				
P/N	USED ON	SCALE	1/2 UNIT mm	WT.	DWG SIZE A2	
	SC - HAND-20-18P				DWG No. 10057005	
	FINISH				SHEET 1 OF 1	

PART LISTS

KOMOTEK CO., LTD.

OUTLINE DRAWING (KAND-2018D)

AMENDMENT			
SIGN	DESCRIPTION	MODIFIER	DATE