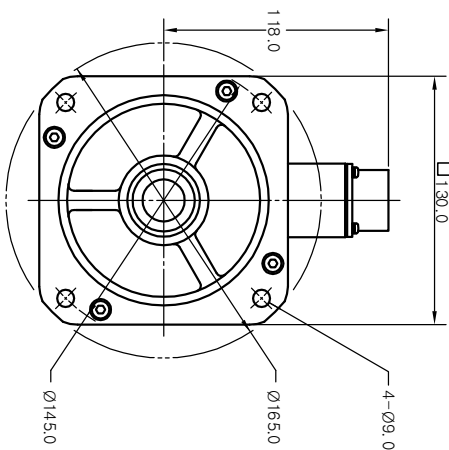
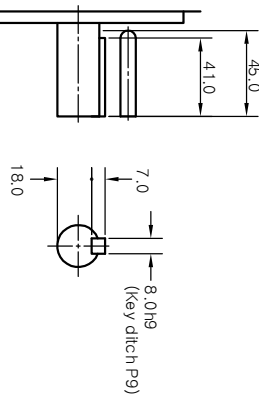
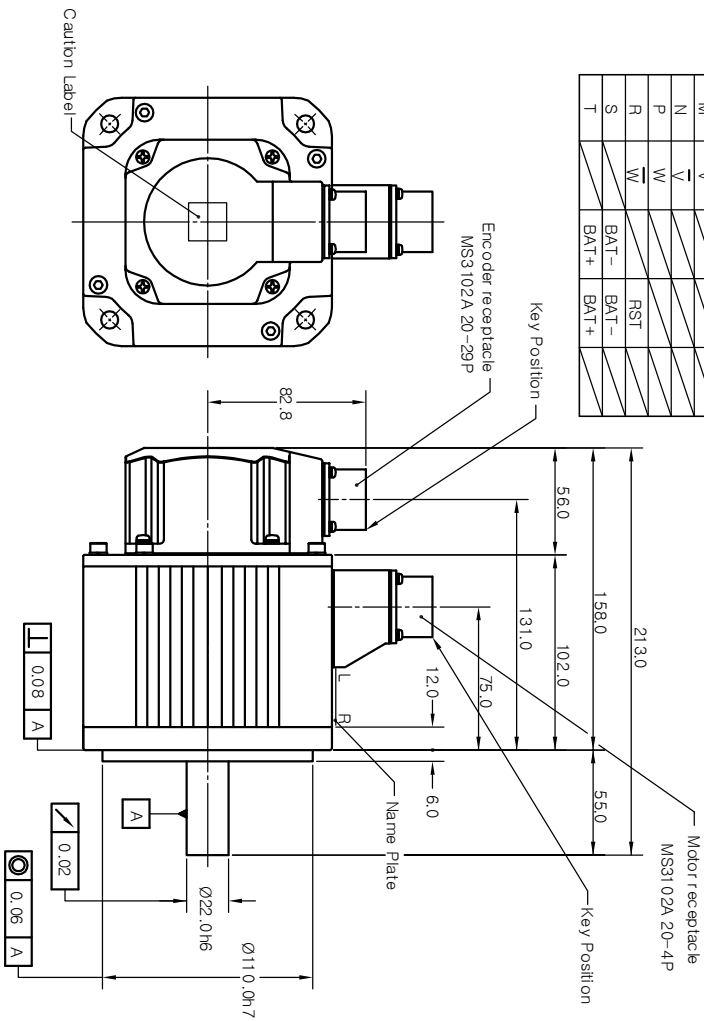


Relay encoder unit

PN No	Inc.	Abs. (17 bit)	Abs. (11 bit)	Inc.
	15 Wires	9 Wires	15 Wires	9 Wires
A	A	A	A	A
B	A	A	A	A
C	B	B	B	B
D	B	B	B	B
E	Z	Z	Z	Z
F	Z	Z	Z	Z
G	0V	0V	0V	0V
H	DC+5V	DC+5V	DC+5V	DC+5V
J	FG	FG	FG	FG
K	U	SD	RX	FG
L	U	SD	RX	FG
M	V	SD	RX	FG
N	V	SD	RX	FG
P	W	RST	BAT-	BAT-
R	W	RST	BAT-	BAT-
S	W	BAT+	BAT+	BAT+
T	W	BAT+	BAT+	BAT+

Motor unit

PIN No.	Signal
A	U
B	V
C	W
D	FG



ORIGINAL	ALTERNATIVE MATERIAL	ITEM	PART NAME	QTY	PART No.	DWG.No.
TOLERANCE LINEAR	ANGLE	2002.12.16				
MATERIAL	HEAT TREATMENT	3rd Angle System	KOMETEK CO., LTD.			
DESIGNED	ISSUING DIVISION	Approved	PART NAME			
Checked	Mechanical Design Team	Drawn	OUTLINE DRAWING			
Designed		Design	(KAND-10811ND)			
SCALE 1/2 UNIT mm	WT.	SCALE 1/2 UNIT mm	DWG SIZE	DWG No.	10057000	SHEET 1 OF 1

