

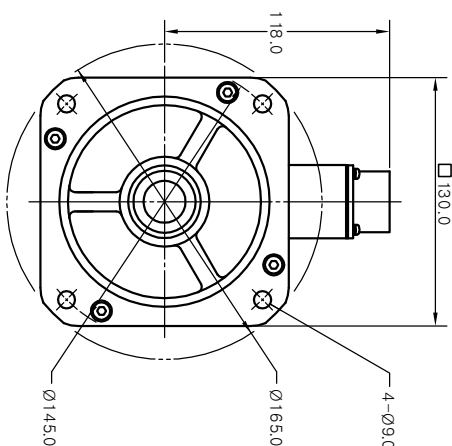
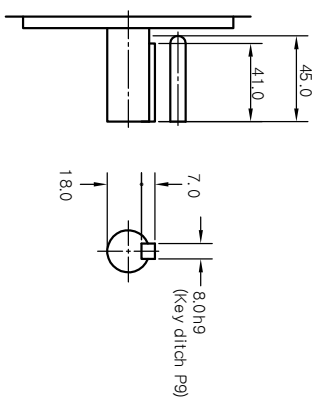
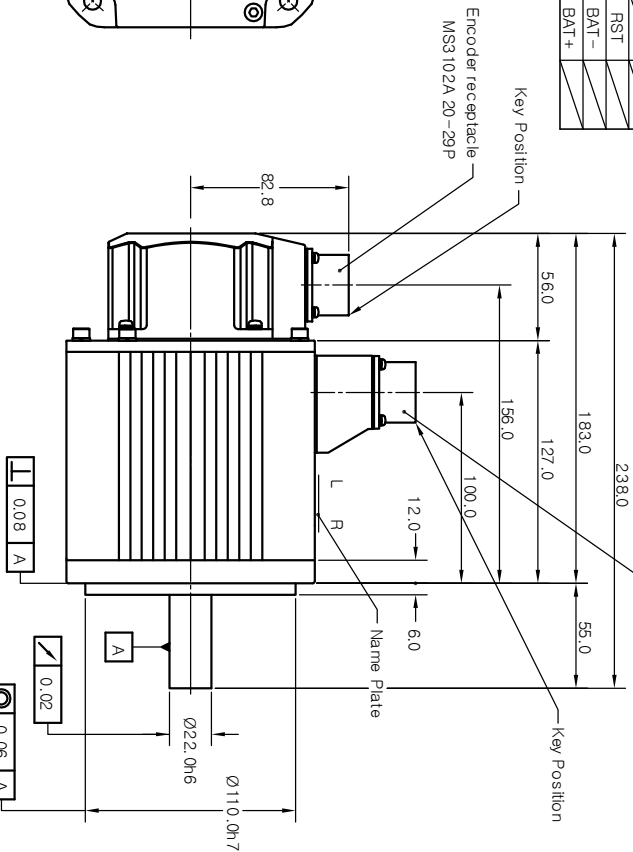
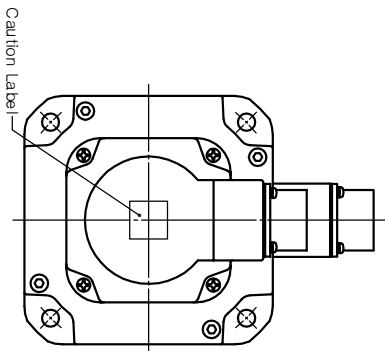
Rotary encoder unit

| PIN No | Inc. (17 bit) | | Abs. (11 bit) | |
|--------|---------------|---------|---------------|---------|
| | 15 Wires | 9 Wires | 15 Wires | 9 Wires |
| A | A | A | A | A |
| B | A | A | A | A |
| C | B | B | B | B |
| D | B | B | B | B |
| E | Z | Z | Z | Z |
| F | Z | Z | Z | Z |
| G | 0V | 0V | 0V | 0V |
| H | DC +5V | DC +5V | DC +5V | DC +5V |
| J | FG | FG | FG | FG |
| K | U | SD | RX | FG |
| L | U | SD | RX | FG |
| M | V | SD | RX | FG |
| N | V | SD | RX | FG |
| P | W | RST | RST | FG |
| R | W | RST | RST | FG |
| S | W | RST | RST | FG |
| T | BAT + | BAT + | BAT + | FG |

Motor unit

| PIN No. | Signal |
|---------|--------|
| A | A |
| B | W |
| C | |
| D | F.G |
| E | F.G |
| F | U |
| G | BR |
| H | BR |
| I | V |

Motor & Brake receptacle
MS3102A 20-18P



| | | | | | | |
|------------------|---------------------|--|------------------|-------------------|----------|------------------|
| ORIGINAL | AUTERNAIVE MATERIAL | ITEM | PART NAME | QTY | PART No. | DWG No. |
| TOLERANCE LINEAR | ANGLE | 2002. 12. 16 | | | | |
| MATERIAL | HEAT TREATMENT | Approved | 3rd Angle System | PART NAME | | |
| HEAT TREATMENT | FINISH | Drawn | KIM Jungsam | KOMOTEK CO., LTD. | | |
| | | Designed | KIM Jungsam | OUTLINE DRAWING | | |
| | | ISSUING DIVISION Mechanical Design Team | | (KAND-10801 BD) | | |
| P/N | NEXT ASSY | USED ON | SCALE 1/2 | UNIT mm | WT. | DWG SIZE A2 |
| | | | | | | DWG No. 10057001 |
| | | | | | | SHEET 1 OF 1 |

| AMENDMENT | | | |
|-----------|-------------|----------|-----------|
| SIGN | DESCRIPTION | MODIFIER | APPROVALS |
| | | | DATE |
| | | | |