

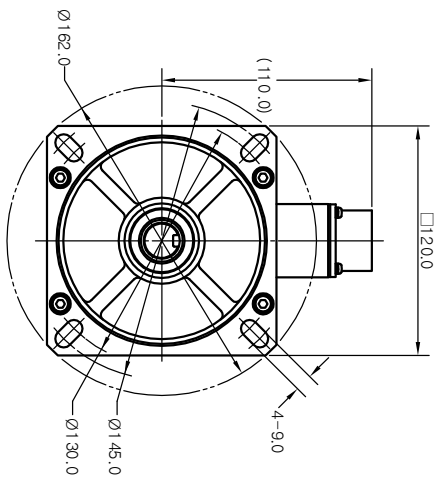
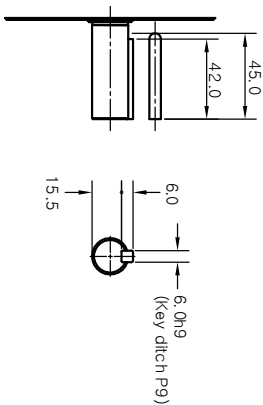
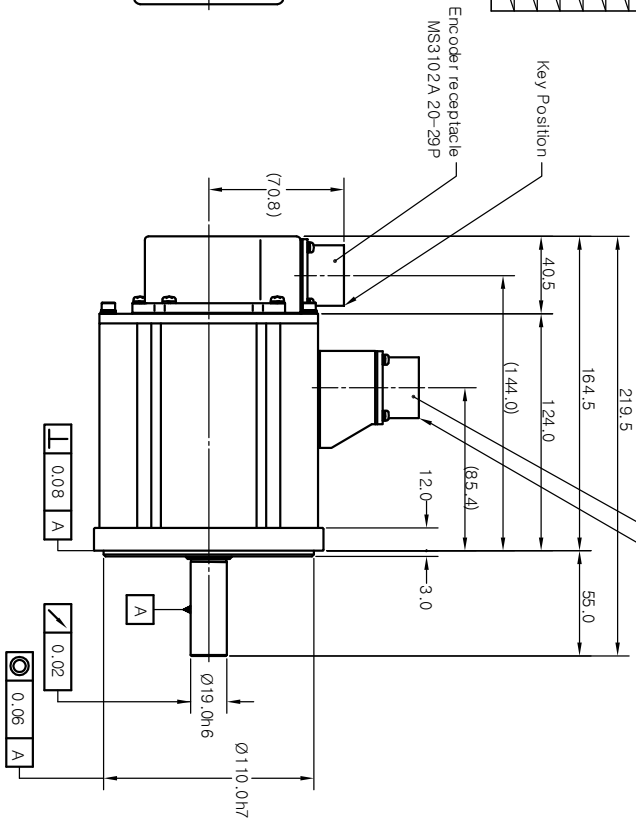
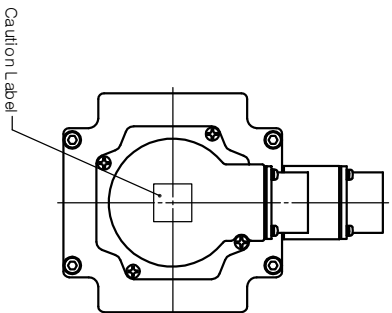
| SIGN | DESCRIPTION | MODIFIER | APPROVALS | DATE |
|------|-------------|----------|-----------|------|
| | | | | |

Rotary encoder unit

| PN No | Inc. | | Abs. | | Abs. | | Inc. |
|-------|----------|---------|----------|--------|---------|---------|--------|
| | 15 Wires | 9 Wires | 15 Wires | 11 bit | 9 Wires | 9 Wires | |
| A | A | A | A | A | A | A | A |
| B | A | A | B | B | B | B | A |
| C | B | B | C | C | C | C | B |
| D | B | B | D | D | D | D | B |
| E | Z | Z | E | E | E | E | Z |
| F | Z | Z | F | F | F | F | Z |
| G | 0V | 0V | G | G | G | G | Z |
| H | DC +5V | DC +5V | H | H | H | H | 0V |
| J | FG | FG | J | J | J | J | DC +5V |
| K | U | SD | K | K | K | K | DC +5V |
| L | U | SD | L | L | L | L | FG |
| M | V | SD | M | M | M | M | FX |
| N | V | SD | N | N | N | N | FX |
| P | W | SD | P | P | P | P | RST |
| R | W | SD | R | R | R | R | BAT- |
| S | W | SD | S | S | S | S | BAT- |
| T | W | SD | T | T | T | T | BAT+ |

Motor unit

| PIN No. | Signal |
|---------|--------|
| A | W |
| B | W |
| C | W |
| D | F, G |
| E | F, G |
| F | U |
| G | BR |
| H | BR |
| I | V |



ORIGINAL

USE ON

SC (KAND-08□1 B□)

NEXT ASSY

| ITEM | PART NAME | QTY | PART No. | DWG No. |
|------|-----------|-----|----------|---------|
| | | | | |

PART LISTS

2004. 05. 17

3rd Angle System

APPROVED

CHECKED

DESIGNED

ISSUING DIVISION

MECHANICAL DESIGN TEAM

SCALE 1/2 UNIT mm

DWG SIZE A2

DWG No. 10057171

SHEET 1 OF 1

A B C D 1 2 3 4 5 6

KOMOTEK CO., LTD.

OUTLINE DRAWING